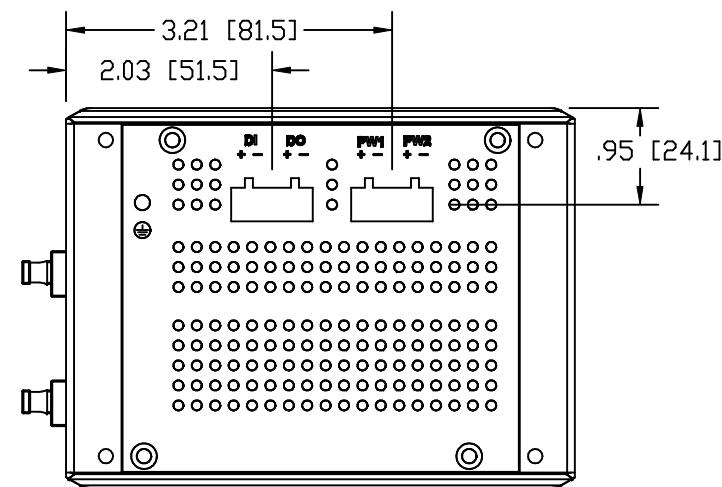
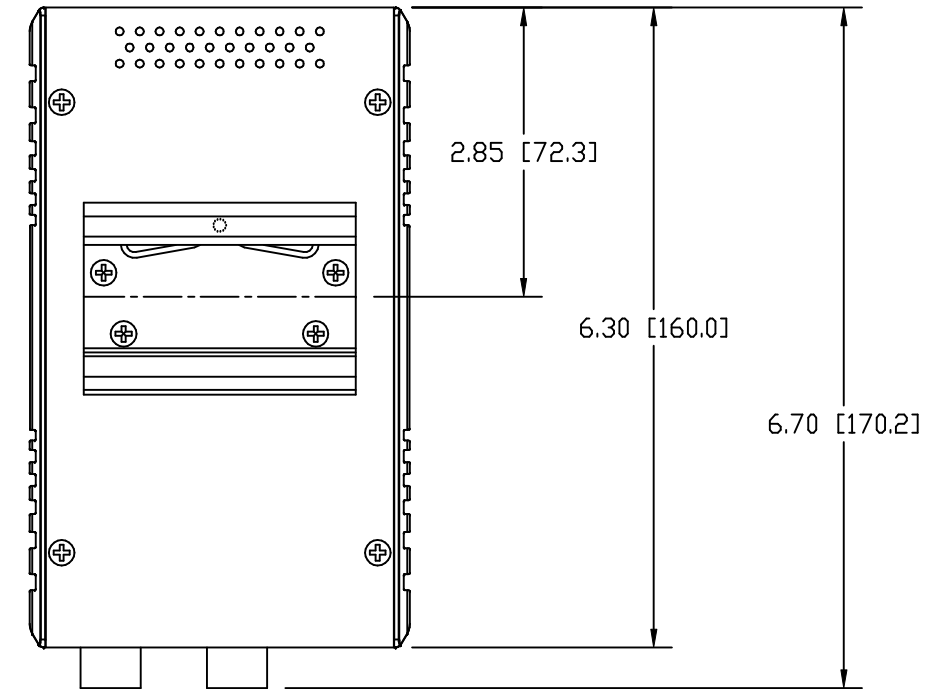
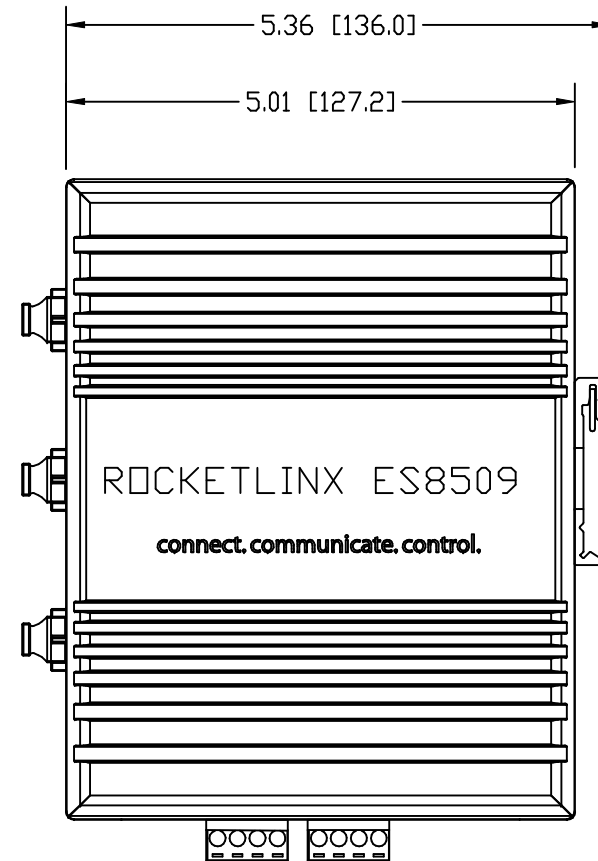
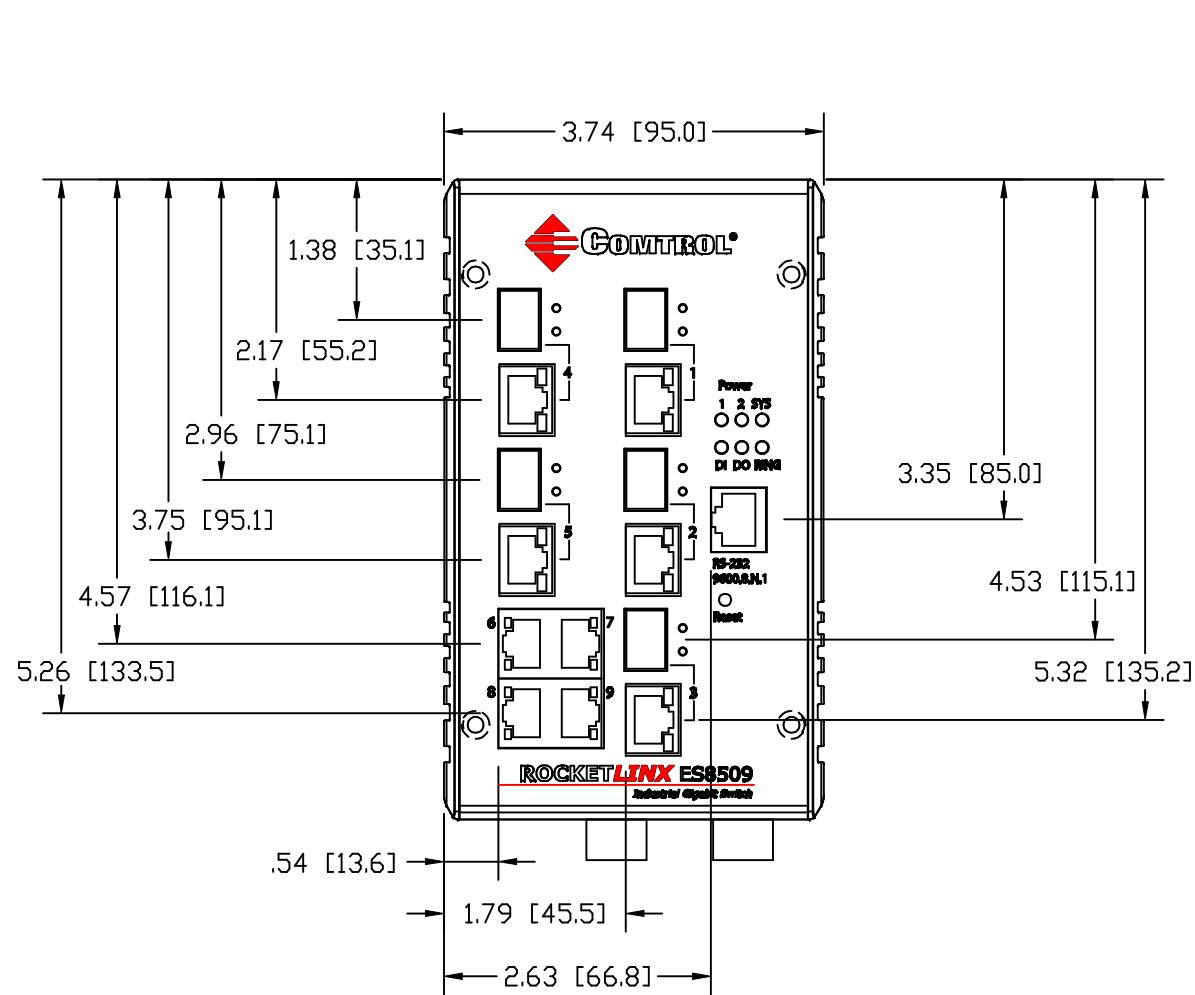


REVISION RECORD

REV	ECO	DESCRIPTION	DATE	DRFT	APVD
01	N/A	Initial release for review	07/01/11	SJL	

NOTES:

1. DEVICE IS DESIGNED TO BE MOUNTED ON 35MM DIN RAIL (EN 50022).



DIMENSIONS ARE IN INCHES [MM]

CONTROL CORP.

TITLE

ROCKETLINX ES8509
INDUSTRIAL ETHERNET SWITCH
32065-4

FILENAME

ROCKETLINX_ES8509_01.DWG

SIZE	BY	DATE	REV	SHEET
B	SJL	07/01/11	01	1 OF 1