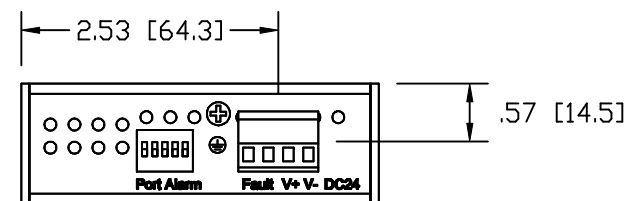
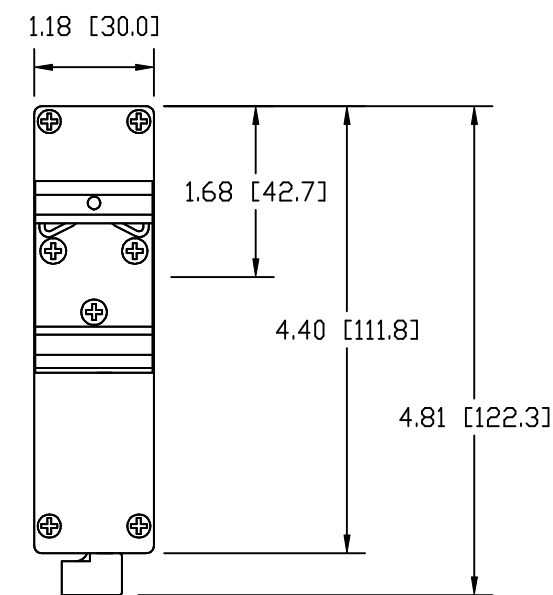
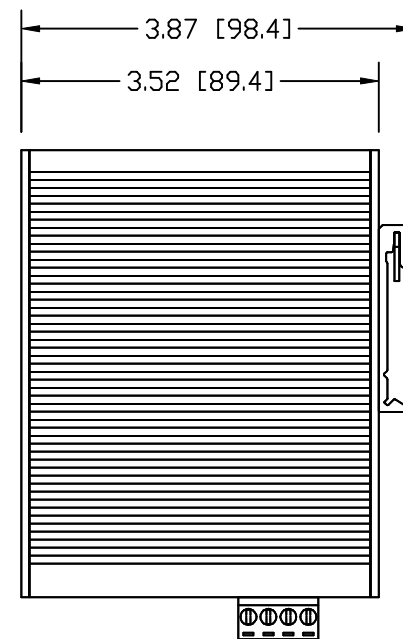
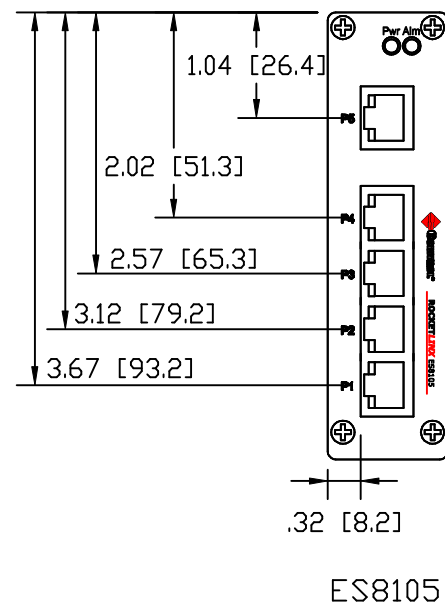
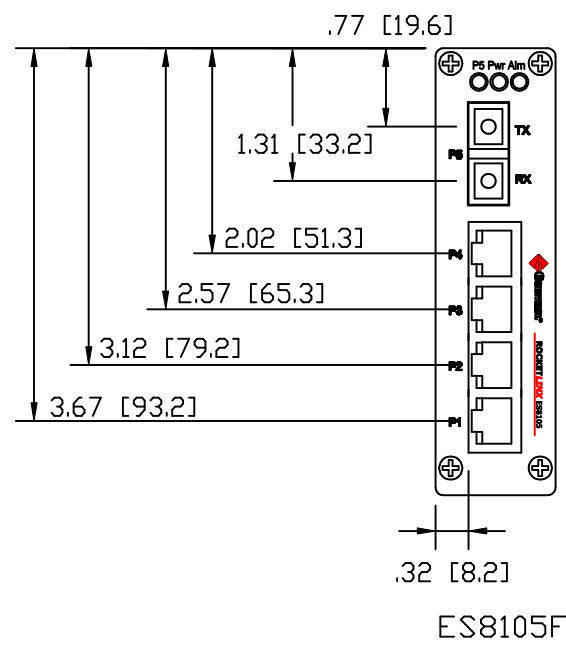


REVISION RECORD

REV	ECO	DESCRIPTION	DATE	DRFT	APVD
01	N/A	Initial release for review	07/15/11	SJL	

NOTES:

1. DEVICE IS DESIGNED TO BE MOUNTED ON 35MM DIN RAIL (EN 50022).



DIMENSIONS ARE IN INCHES [MM]				
CONTROL CORP.				
TITLE ROCKETLINX ES8105 INDUSTRIAL ETHERNET SWITCH 32025-8, 32026-5, 32027-2				
FILENAME ROCKETLINX_ES8105_01.DWG				
SIZE B	BY SJL	DATE 07/15/11	REV 01	SHEET 1 OF 1