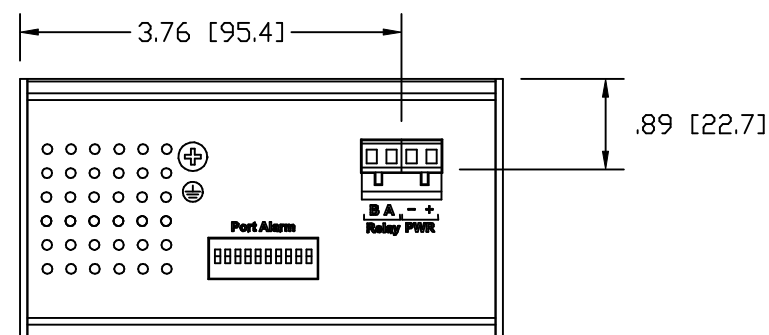
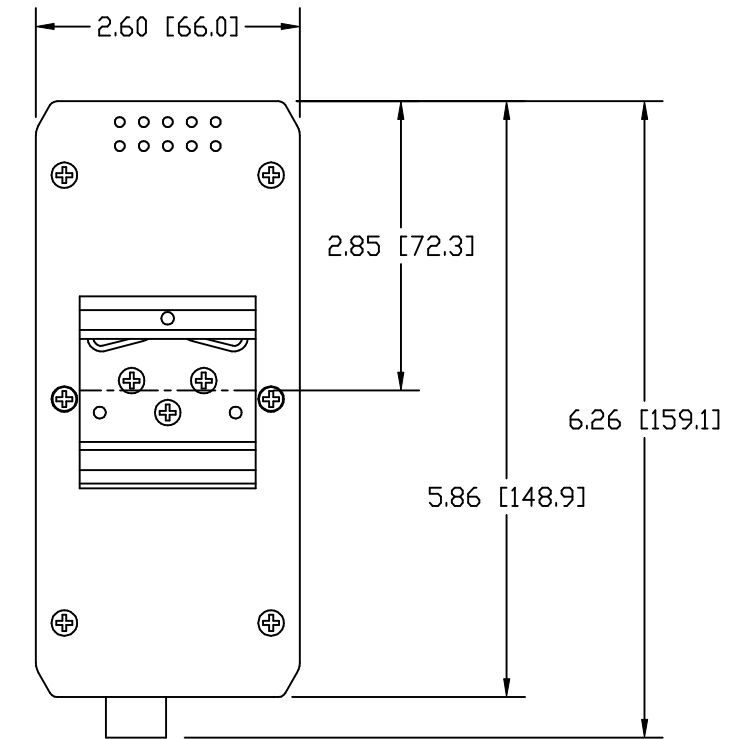
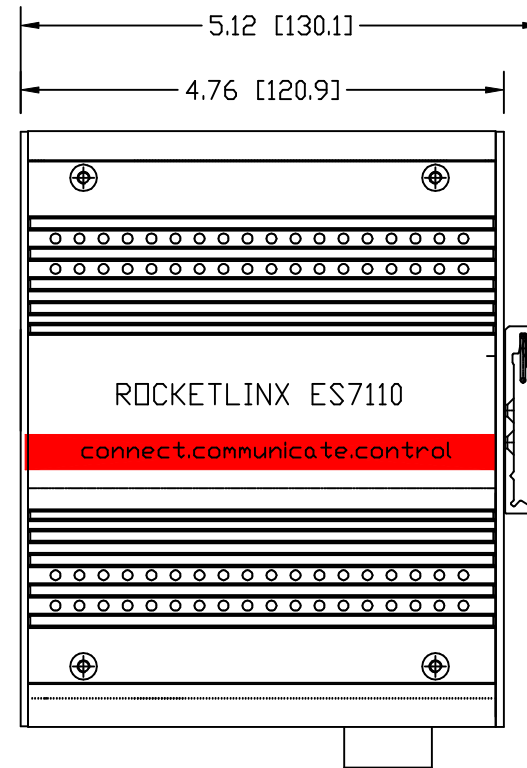
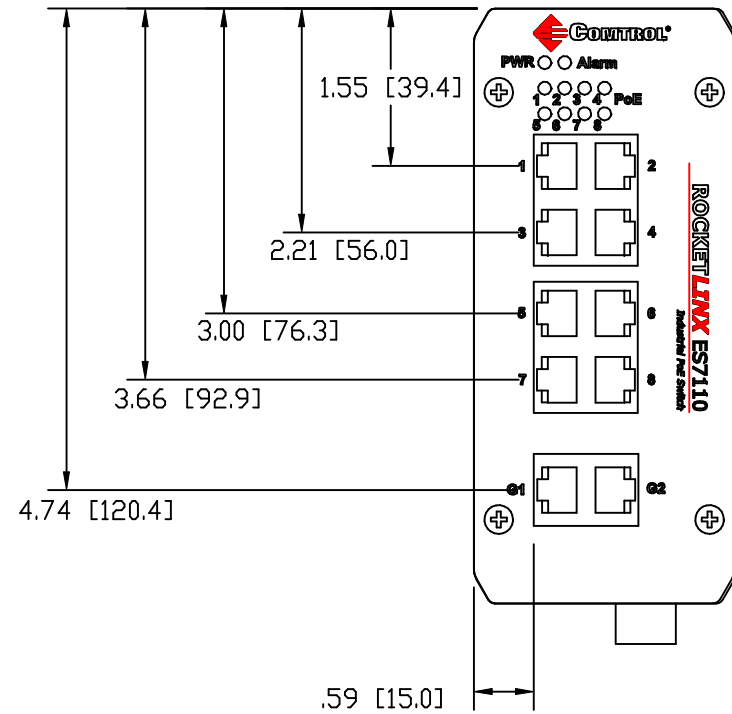


REVISION RECORD

REV	ECO	DESCRIPTION	DATE	DRFT	APVD
01	N/A	Initial release for review	07/12/11	SJL	
02	N/A	Add 32049-4	11/23/11	SJL	

NOTES:

1. DEVICE IS DESIGNED TO BE MOUNTED ON 35MM DIN RAIL (EN 50022).



DIMENSIONS ARE IN INCHES [MM]				
CONTROL CORP.				
TITLE ROCKETLINX ES7110 INDUSTRIAL POE SWITCH 32048-7, 32049-4				
FILENAME ROCKETLINX_ES7110_02.DWG				
SIZE B	BY SJL	DATE 07/12/11	REV 02	SHEET 1 OF 1