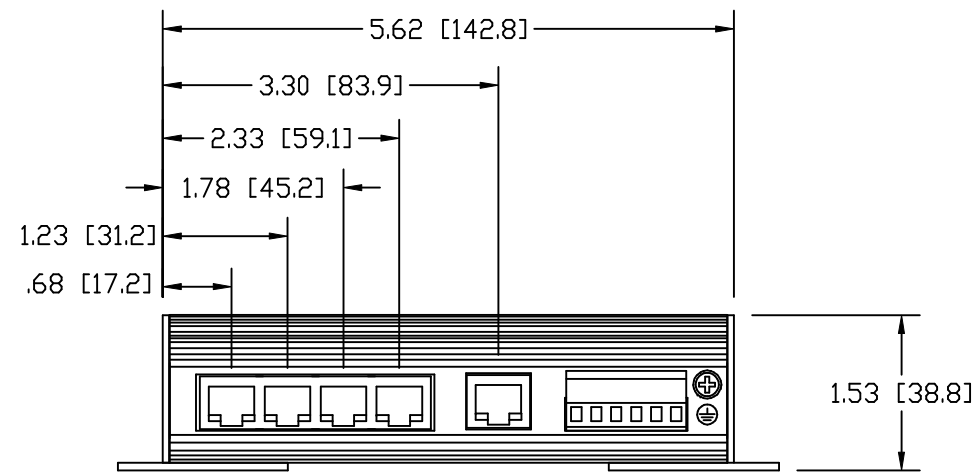
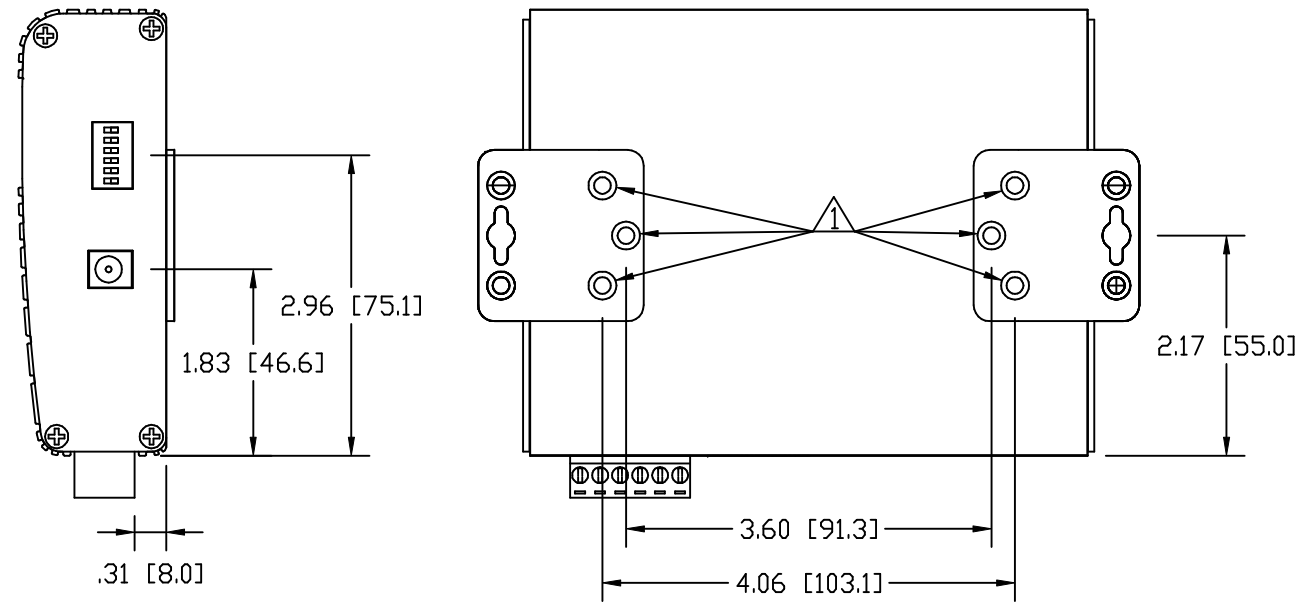
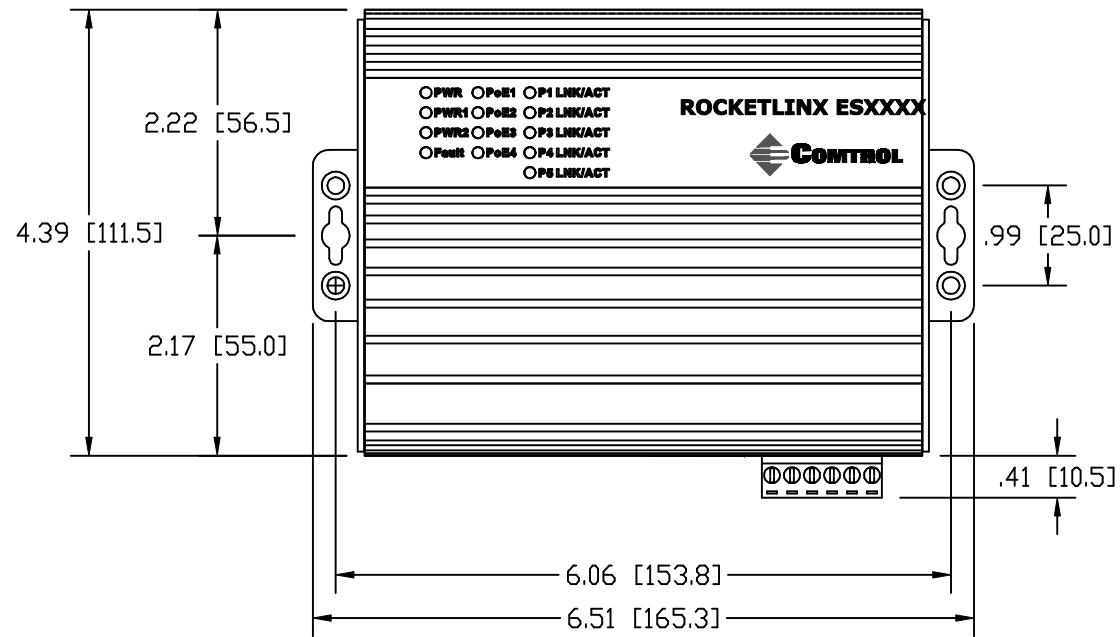
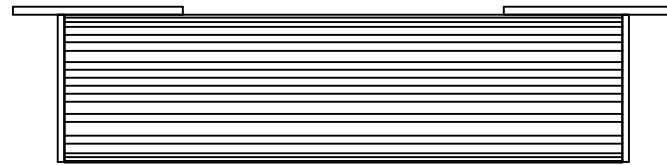
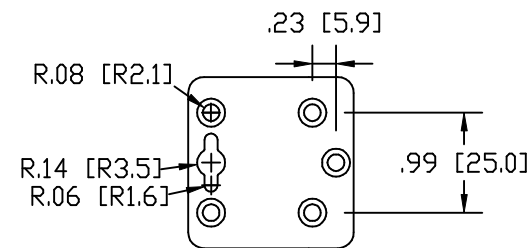


REVISION RECORD

REV	ECO	DESCRIPTION	DATE	DRFT	APVD
01	N/A	Initial release for review	11/19/10	SJL	



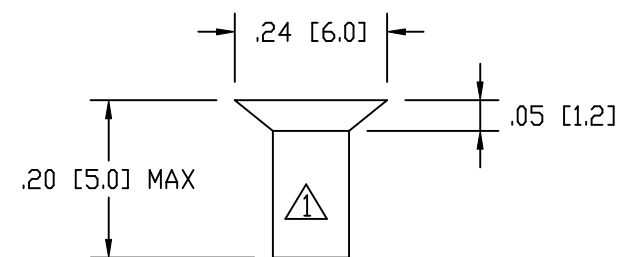
FRONT VIEW



BRACKET DETAIL

NOTES:

1. MOUNTING HOLES FOR BRACKETS ARE THREADED FOR M3 SCREW, COUNTERSUNK FOR HEAD DIMENSIONS AS SHOWN.
 MAXIMUM SCREW LENGTH .24" [6.0MM].



MOUNTING SCREW DETAIL

DIMENSIONS ARE IN INCHES [MM]

CONTROL CORP.

TITLE

ROCKETLINX ES7105
 INDUSTRIAL POE SWITCH
 32045-6

FILENAME

ROCKETLINX_ES7105_01.DWG

SIZE	BY	DATE	REV	SHEET
B	SJL	11/19/10	01	1 OF 1