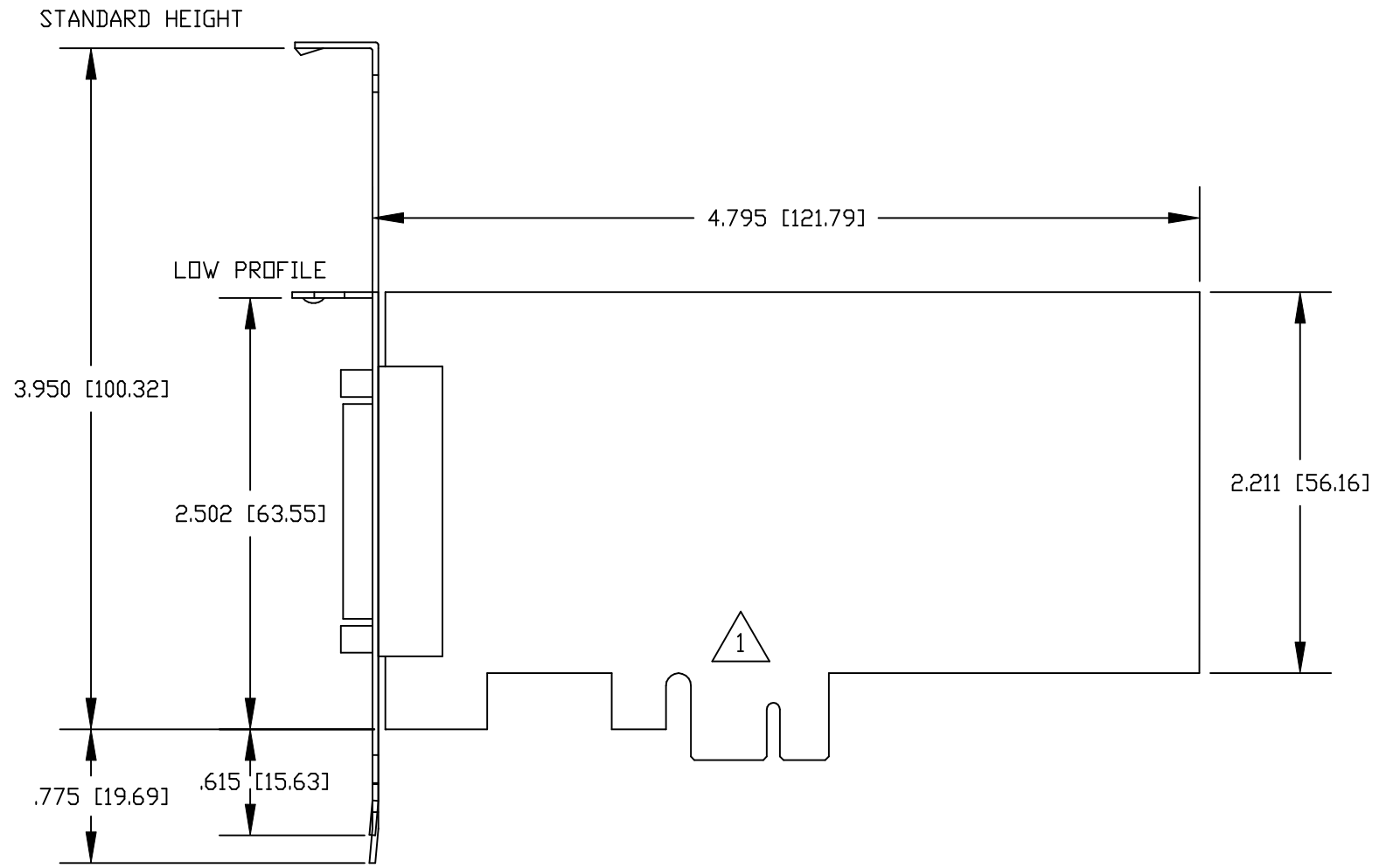
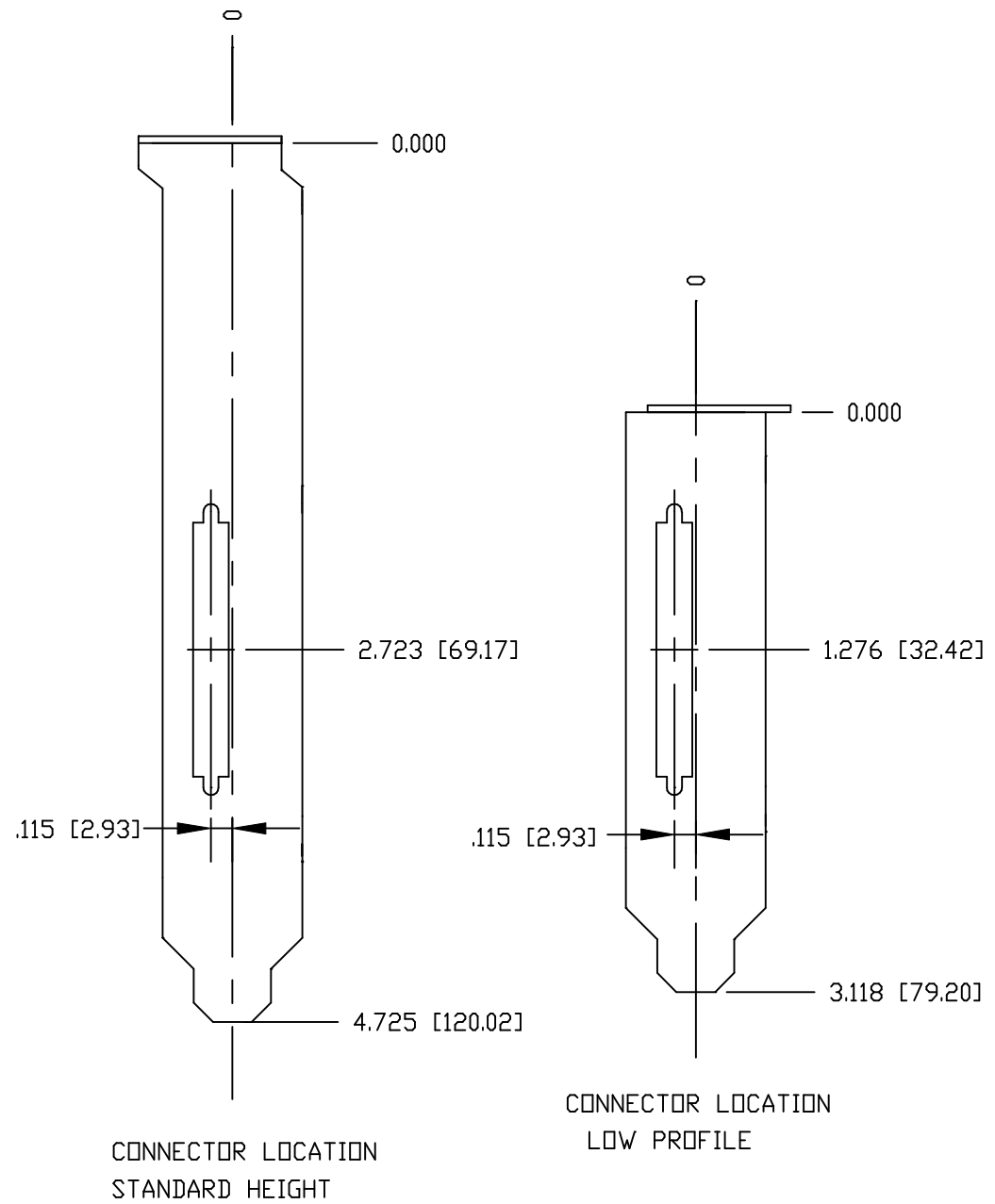


REVISION RECORD					
REV	ECD	DESCRIPTION	DATE	DRFT	APVD
01	N/A	Initial release for review	02/26/08	SJL	



- NOTES:
1. FOR MORE DETAILED DIMENSIONS, REFER TO PCI EXPRESS CARD ELECTROMECHANICAL SPECIFICATION, REV 1.0A.
 2. STANDARD CABLE LENGTH IS 42" [107CM] FOR DB25 AND DB9 VERSIONS AND 10" [25CM] FOR RJ45 VERSION.

DIMENSIONS ARE IN INCHES [MM]				
CONTROL CORP.				
TITLE ROCKETPORT EXPRESS, QUAD-OCTA 30126-4, 30127-1, 30128-8, 30129-5, 30130-1, 30131-8				
FILENAME RP_EXPRESS_QUAD-OCTA_01.DWG				
SIZE	BY	DATE	REV	
B	SJL	02/26/08	01	SHEET 1 OF 1