

DeviceMaster® RTS 4-Port DB9

Part Number: 99445-9



KEY FEATURES AND BENEFITS

- No serial cable distance limitations enables communication between a host PC and serial devices located anywhere across an Ethernet network
- RS-232/422/485 software selectable
- Supports native COM, TTY, or TCP/IP Socket communication modes
- Web-based configuration makes setup and management changes quick and easy
- Rugged stainless steel housing enables DIN rail or panel mounting
- Temperature rated for extreme conditions (-40° to 75°C)
- PortVision® DX remote monitoring and management software
- Real-time e-mail event notification alerts administrator of potential connection and security issues
- NEMA TS2 compliant
- RoHS2 compliant under CE
- IPV6 support



PRODUCT DESCRIPTION

The Control DeviceMaster RTS 4-Port DB9 is a four-port device server designed for network-enabling serial communications devices. When used with the included NS-Link™ driver software and a host PC, the DeviceMaster RTS enables placement of COM or TTY ports anywhere on an Ethernet network or across

the Internet. In applications where connecting legacy serial devices to a PC without software changes is a requirement, a pair of DeviceMaster RTS units can be used to create a point-to-point serial tunnel across the network that seamlessly transfers serial data via TCP or UDP socket connections.

DEVICEMASTER SPECIFICATIONS

HARDWARE

Bus Interface Specification

(2) 10/100 BASE-T

Processor

ARM7 44Mhz

Memory

SD RAM 8MB
Flash 4MB

Enclosure

Black Finished Steel

Product Weight

4.47 lbs
2.03 kg

Product Dimensions

10.8" x 1.5" x 6.3"
27.43 x 3.81 x 16

Installation Method

Panel mountable

LED Indicators

Status
Ethernet Link/Activity
Collision
100MB Ethernet
RX/TX Per Port

Surge Protection

15KV

SERIAL COMMUNICATIONS

Software-Selectable

RS-232/422/485

Baud Rates

50 bps to 230 Kbps

Serial Connectors

(4) DB9 Male

Data Bits

7 or 8

Parity

Odd, Even, None

Stop Bits

1 or 2

ELECTRICAL SPECIFICATIONS

Device Requirements

9-30 VDC

Device Consumption

4.8 Watts

External Power Supply (Included)

Input
90 to 260 VAC @ 60Hz
Output
200mA @ 24 VDC

ENVIRONMENTAL SPECIFICATIONS

Operating Temperature

-40° to 75°C

Storage Temperature

-40° to 85°C

Operating Humidity

5% to 95%

Altitude

0 to 10,000 Ft
0 to 3,048 m

Heat Output

16.4 BTU/Hr

Mean time between failures

25.0 Years

DEVICE DRIVERS

Linux
Microsoft® Windows® XP through Windows 10

EXPORT INFORMATION

Packaged Shipping Weight

7.08lbs
3.21 kg

Package Shipping Dimensions

14.9" x 4" x 10.9"
37.85 x 10.16 x 27.69 cm

UPC Code

7-56727-99445-9

ECCN

5A992

Schedule B Number

8471.80.1000

REGULATORY STANDARDS

Immunity

EN55024, EN61000-4-2, EN61000-4-3,
EN61000-4-4, EN61000-4-5, EN61000-4-6,
EN61000-4-8, EN61000-4-11, IEC 1000-4-2,
IEC 1000-4-3, IEC 1000-4-4, IEC 1000-4-5,
IEC 1000-4-6, IEC 1000-4-8, IEC 1000-4-11

Emission

EN55022 & A1:2000 IEC 1000-3-2,
IEC 1000-3-3, CISPR-22, ICES-003

Safety

EN60950, IEC 60950,
CSA C22.2 No. 50/UL60950

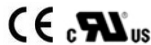
Other

NEMA TS2 Certification
RoHS2 compliant under CE

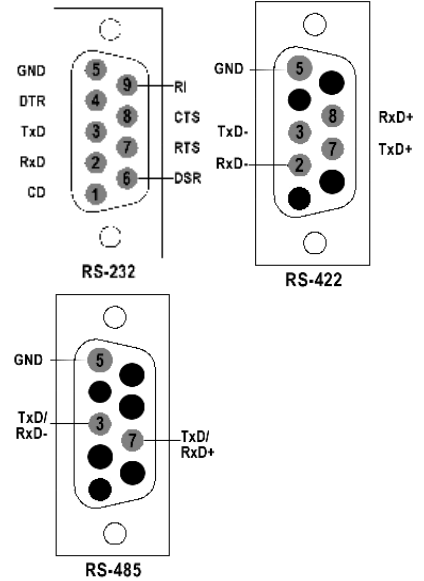
FEATURES

Lowest Latency
NS-Link COM/TTY Port Redirector
PortVision Remote Management
TCP/IP & UDP Socket Services
Telnet
HTTP
SNMP
DHCP / RARP / ARP / BOOTP / Ping
Hardware & Software Flow Control
Watchdog Reset
Event Notification
RFC 1006
Supports IP multicast data transmission

REGULATORY APPROVALS



PIN ASSIGNMENTS



Warranty Information
Control offers a 30-day satisfaction guarantee and 5-year limited warranty.

Sales Support
+1.763.957.6000
sales@comtrol.com

Technical Support
+1.763.957.6000
www.comtrol.com/support

Email, FTP, and Web Support
info@comtrol.com
ftp.comtrol.com
www.comtrol.com