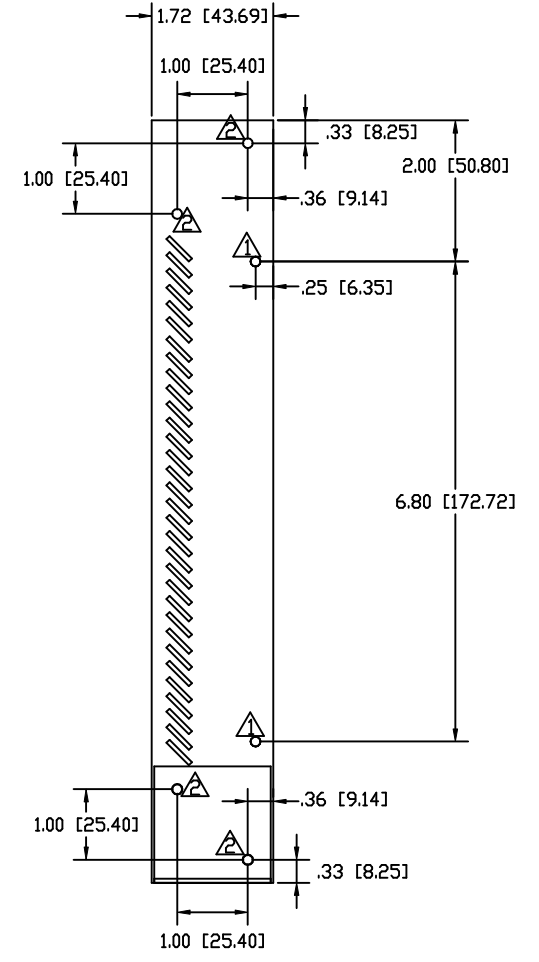
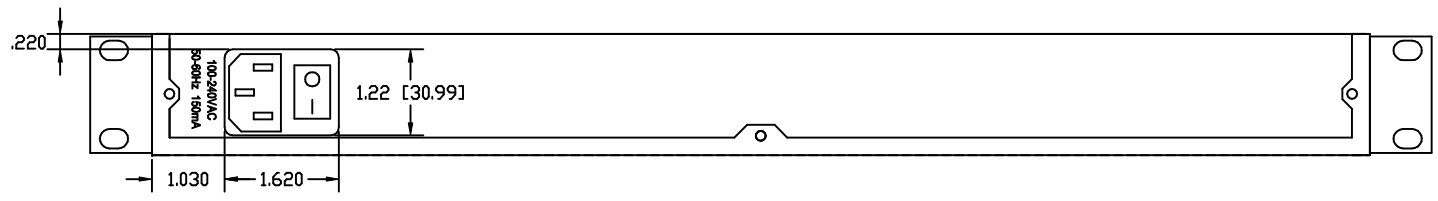
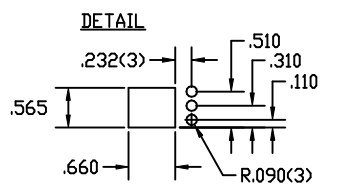
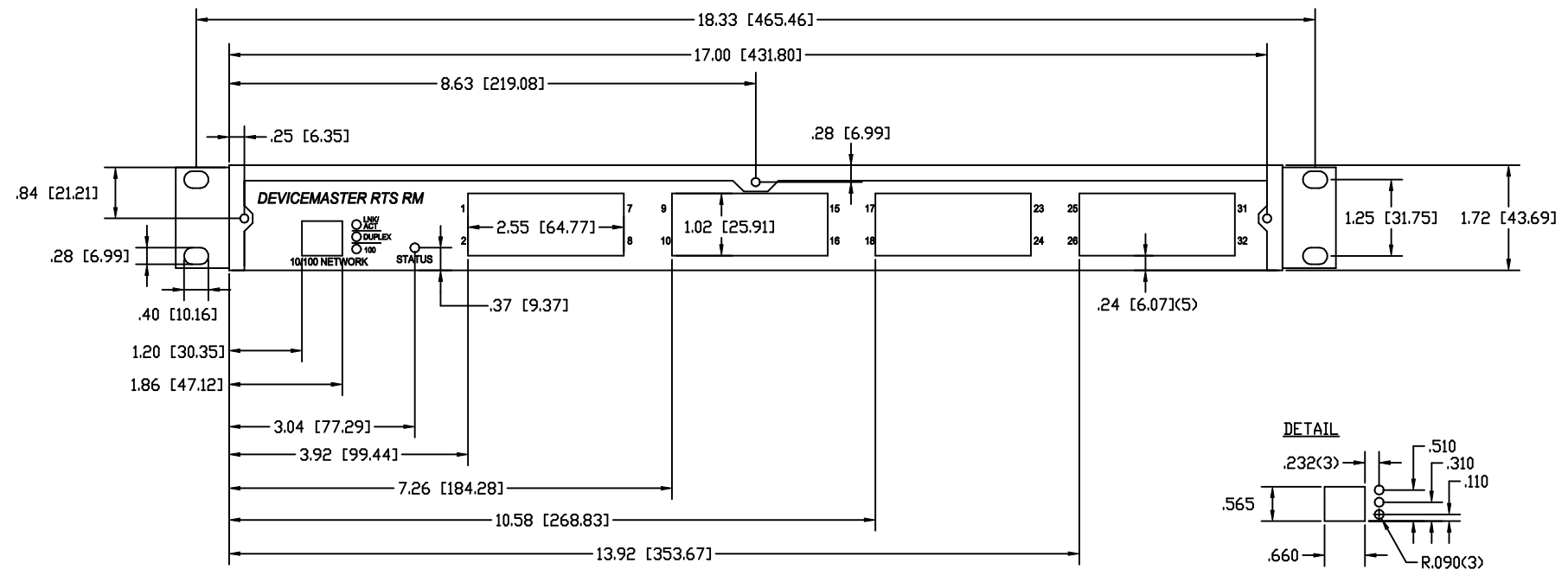


REVISION RECORD					
REV	ECD	DESCRIPTION	DATE	DRFT	APVD
01	NA	Initial Release	02/12/08	S.JL	
02	NA	Change power input module	04/15/13	S.JL	



NOTES:

- ▲ HOLES ARE THREADED 4-40, MAXIMUM SCREW LENGTH 0.25 [6.3].
- ▲ HOLES ARE THREADED 6-32, MAXIMUM SCREW LENGTH 0.50 [12.7].
- 3. HOLES ON FRONT AND BACK ARE THREADED 4-40, NO MAXIMUM SCREW LENGTH.



DIMENSIONS ARE IN INCHES (MM)			
CONTROL CORP.			
TITLE DEVICEMASTER RTS RACKMOUNT 1E 32 PORT 99456-5, 98986-8			
FILENAME DM_RTS_32RM_1E_02.DWG			
BY S.JL	DATE 02/12/08	REV 02	SHEET 1 OF 1