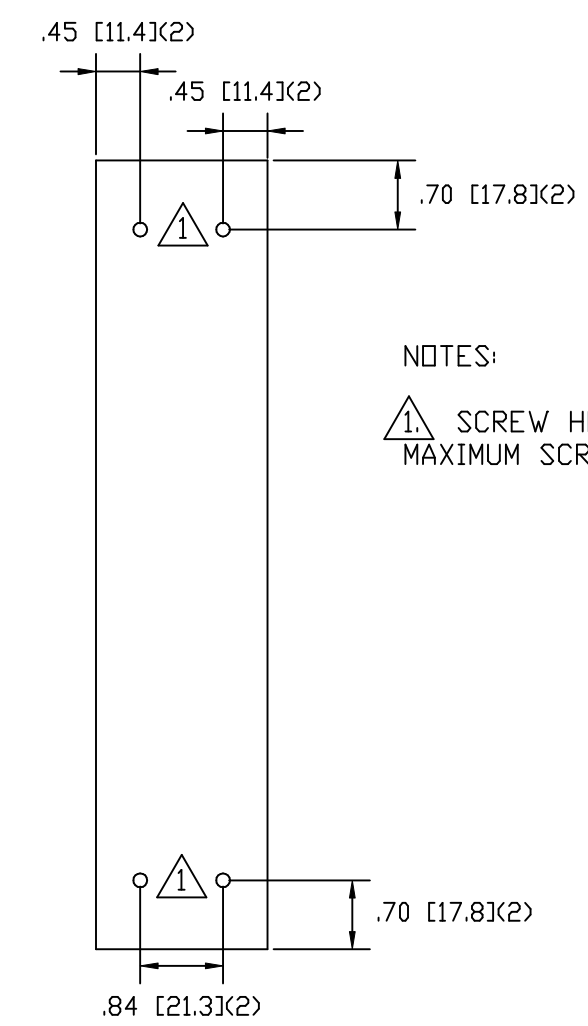
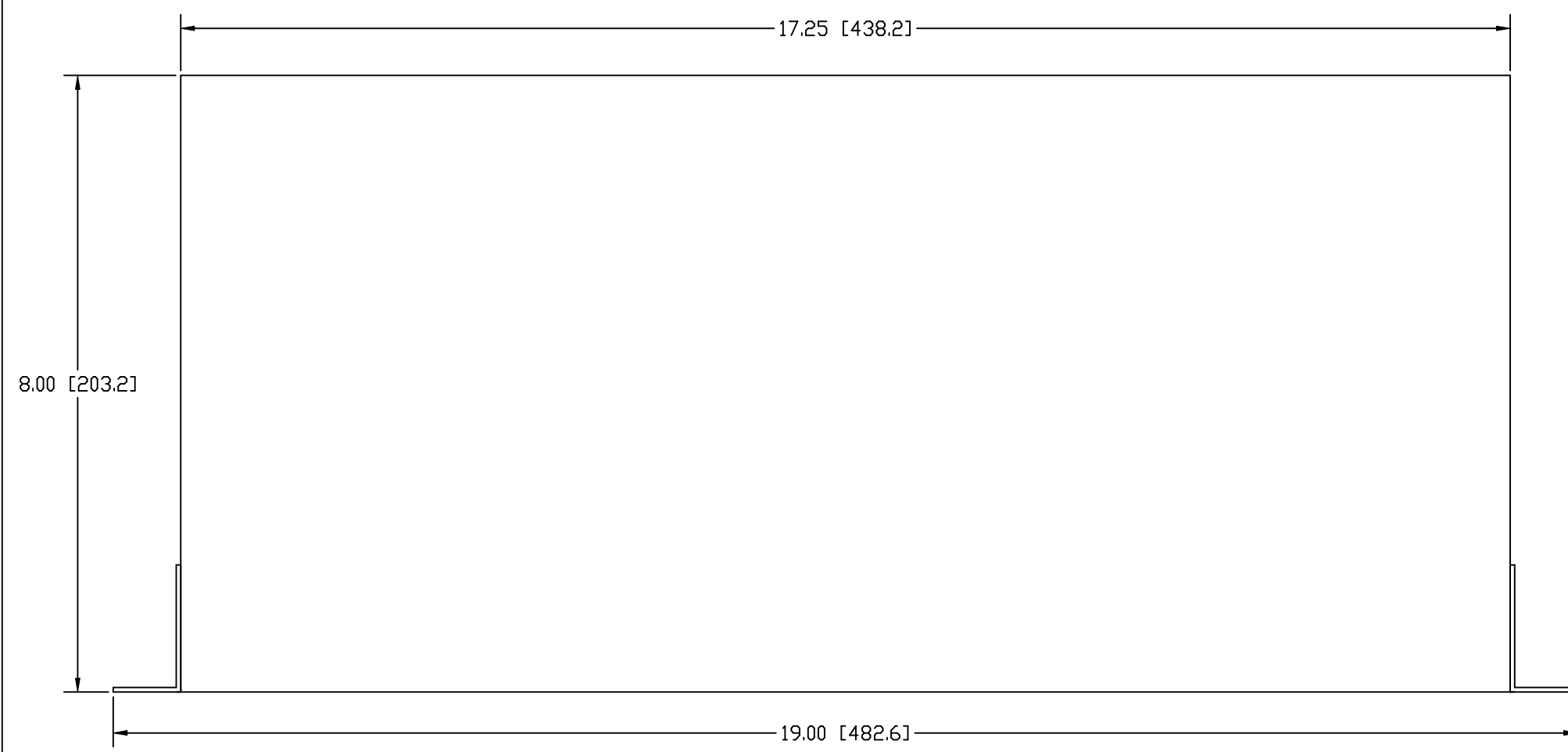
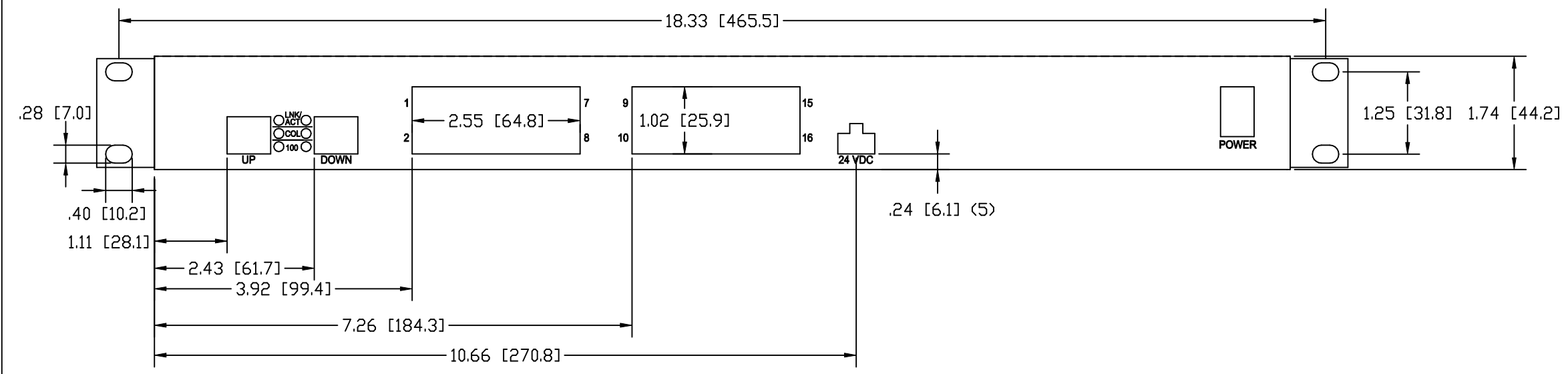


REVISION RECORD					
REV	ECD	DESCRIPTION	DATE	DRFT	APVD
01	NA	Initial Release	02/15/08	S.JL	



NOTES:  
 1. SCREW HOLES ARE THREADED 6-32.  
 MAXIMUM SCREW DEPTH: 0.9 [22.9]



DIMENSIONS ARE IN INCHES [MM]			
CONTROL CORP.			
TITLE DEVICEMASTER RTS RACKMOUNT 2E 16 PORT 99450-3, 98800-7			
FILENAME DM_RM16_RJ45_2E_01.DWG			
BY S.JL	DATE 02/15/08	REV 01	SHEET 1 OF 1