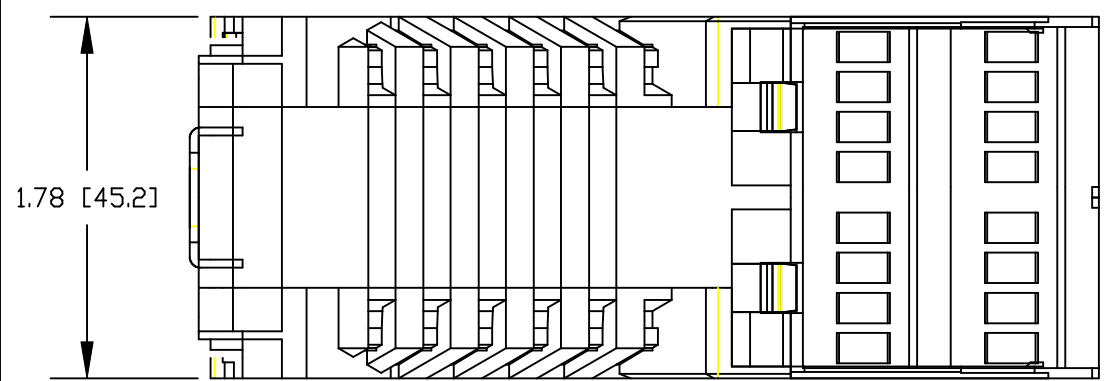
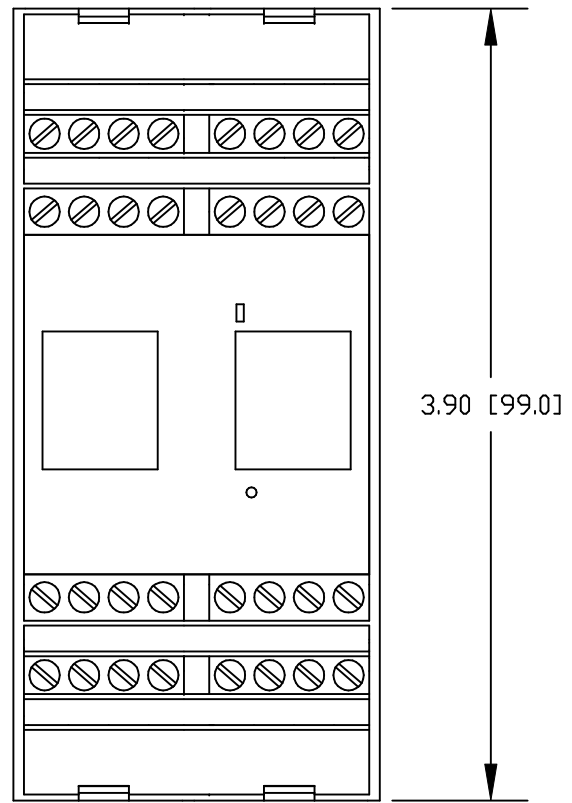
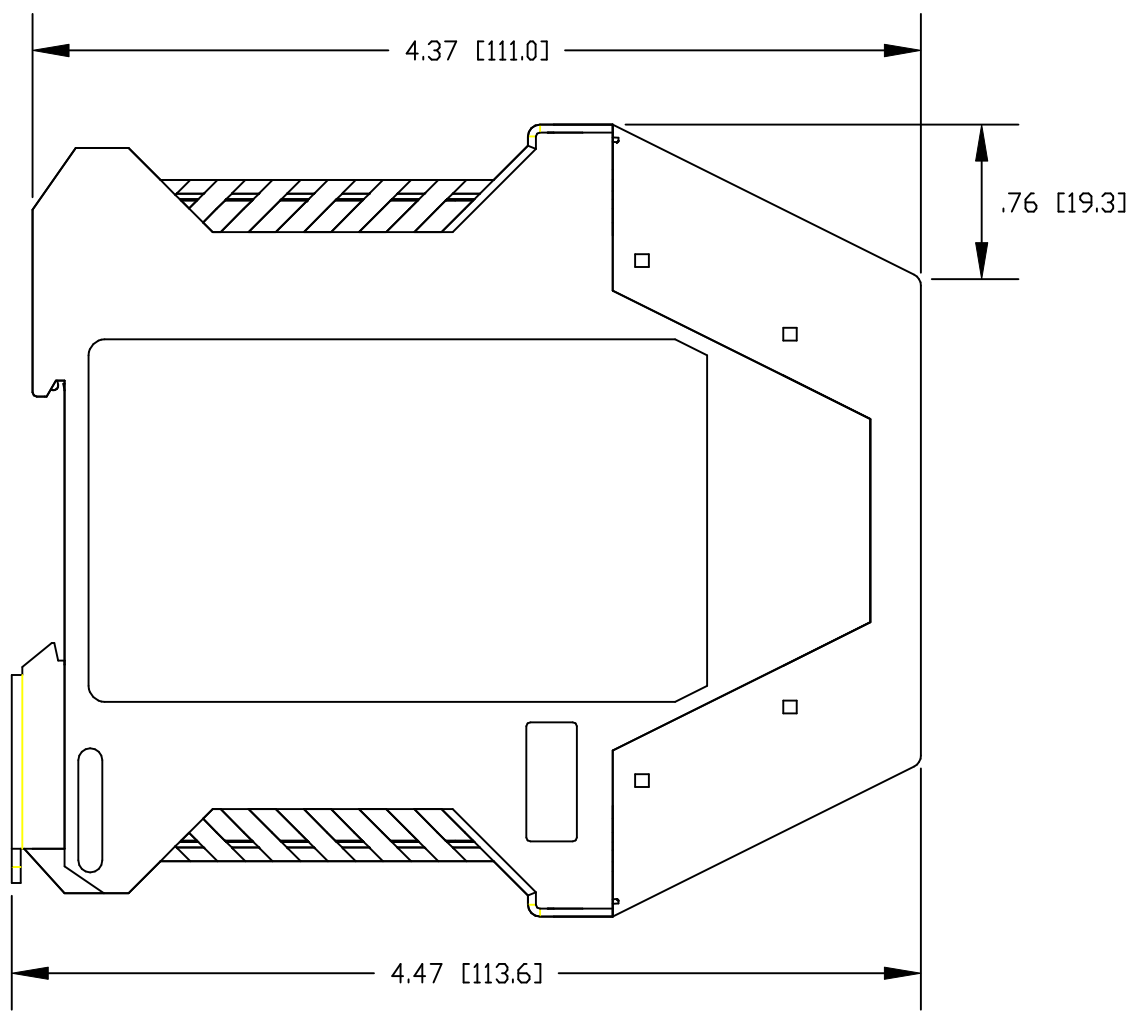


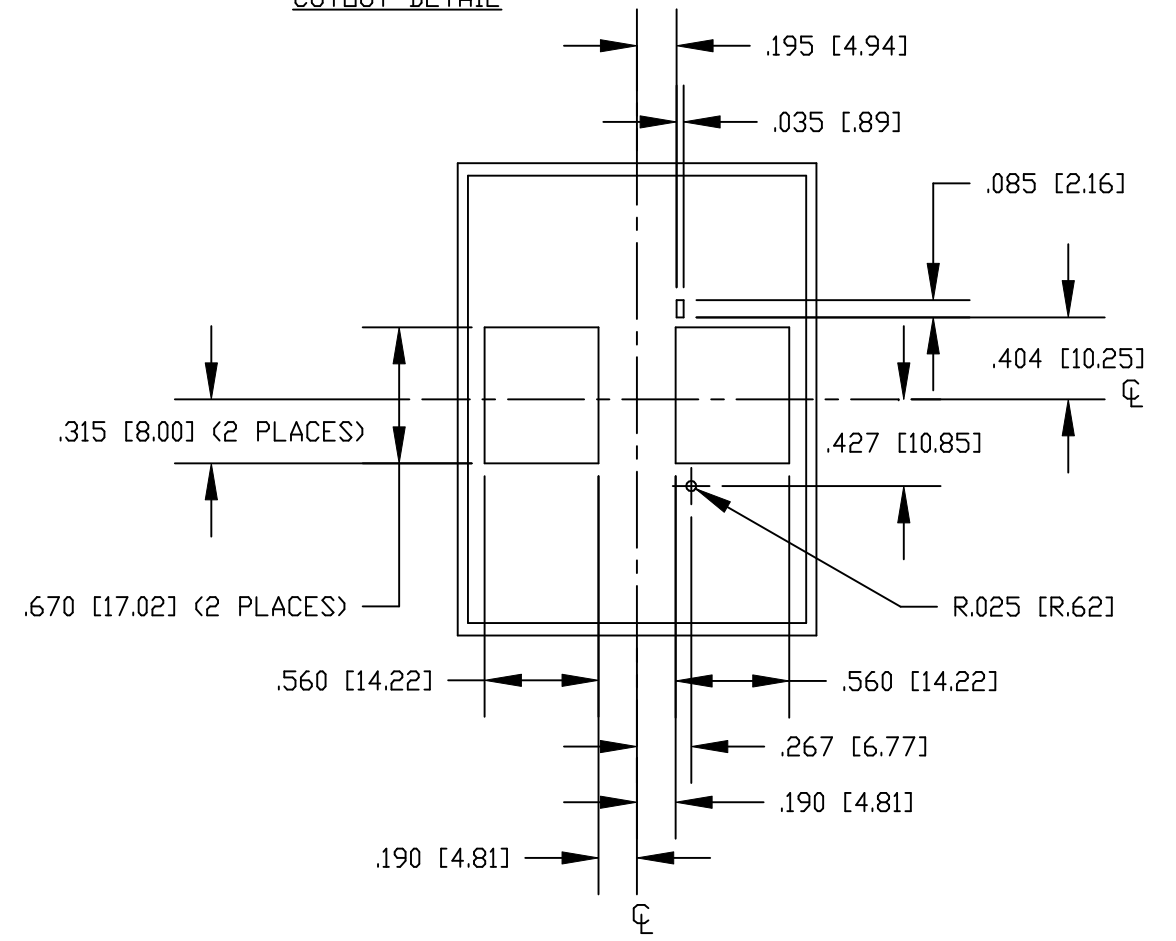
REVISION RECORD					
REV	ECO	DESCRIPTION	DATE	DRFT	APVD
01	N/A	Initial Release for review	07/16/08	SJL	
02	N/A	Add 99541-8, 99542-5	09/27/11	SJL	



NOTES:  
 1. DEVICE IS DESIGNED TO BE MOUNTED ON 35MM DIN RAIL (EN 50022).



CUTOUT DETAIL



DIMENSIONS ARE IN INCHES [MM]				
CONTROL CORP.				
TITLE DEVICEMASTER RTS 2-PORT 2E				
99481-7, 99541-8, 99542-5				
FILENAME DM_2P_2E_02.DWG				
SIZE B	BY SJL	DATE 07/16/08	REV 02	SHEET 1 OF 1