



New 3.0x Firmware Functionality

Ethernet TCP/IP device connectivity:

- One port DeviceMaster UP now provides EtherNet/IP support for one serial device AND one Ethernet device. (A total of two devices.)
- Four port DeviceMaster UP now provides EtherNet/IP support for four serial devices AND four Ethernet devices. (A total of eight devices.)

DualConnect - Application interface for both serial and Ethernet devices (Patent Pending):

- Connect an application, such as a configuration, database, or control application, via the Application socket port to the serial and/or Ethernet devices while the device(s) are attached to the PLC via EtherNet/IP.

Improved PLC interfaces:

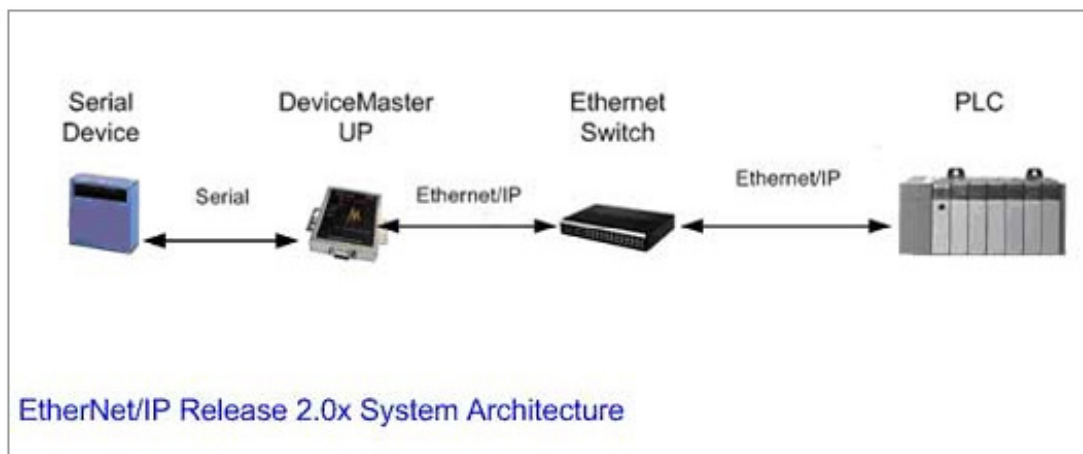
- Increased PLC interface bandwidth:
Provides improved performance and lower latencies when interfacing to higher bandwidth serial and Ethernet devices such as RFID readers.
- Transfer of large received serial device packets up to 1024 bytes.
- Transfer of large received Ethernet device packets up to 2048 bytes.
- Throttling of received data to the PLC in the Write-to-Tag/File receive mode.
Ensures data received by the PLC is not overwritten before it can be processed.

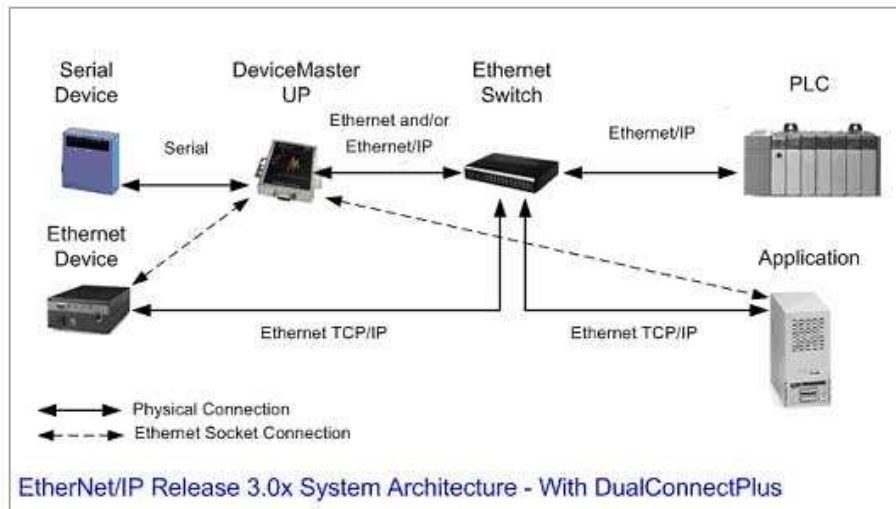
Disabling of non-filtered receive queue:

- Ensures the PLC will only receive the latest received serial/Ethernet device data.

New embedded Web Pages:

- PLC Interface Diagnostics page:
Provides statistics and error messages to monitor and help diagnose PLC interface problems.
- Serial/Ethernet Device Communication Statistics page:
A comprehensive statistics page for all serial and Ethernet device interfaces. Includes packet, byte, and error counts to the PLC(s) and Application(s) as well as comprehensive filtering statistics.
- Ethernet Device Interface Configuration page:
Provides a user interface to the Ethernet device interface configuration.





Filtering and Data Extraction Functionality with DualConnectPlus

Filtering:

- String Filtering of up to 128 bytes of raw/ASCII data to both the PLC and/or Application.
- RFID filtering of EPCglobal formatted RFID tag data to both the PLC and/or Application.
- Barcode filtering of all UPC/EAN formatted barcodes data to both the PLC and/or Application.
- Simplifies PLC and Application programming tasks.

Data Extraction:

- RFID data extraction extracts all parameters, such as company code, product code, and serial numbers, from any or all of the 43 EPCglobal tag formats. It then transfers the data to the PLC and/or Application in a consistent and simple format.
- Barcode data extraction extracts the company, product, and numbering codes from UPC/EAN formatted barcodes. It then transfers the data to the PLC and/or Application in a consistent and simple format.
- Simplifies PLC and Application programming tasks.

Environment specific support:

- Support for multiple RFID reader tag formats.
- RFID antenna grouping.
- Aging of filtered string/RFID/barcode entries.
- Discarding of unrecognized RFID and barcode messages.

