

DeviceMaster® UP 4-Port VDC Modbus

Part Number: 99521-0

KEY FEATURES AND BENEFITS

- Highly flexible and unique Modbus functionality
- Multiple Modbus master and slave types
- Raw/ASCII Serial and Ethernet device support
- Variable power input eliminates need for power converters
- Dual Ethernet ports for daisy chaining network connections between multiple units
- RoHS2 compliant under CE



PRODUCT DESCRIPTION

The DeviceMaster UP has been designed to meet the demands of today's increasingly diverse Modbus installations.

Control has developed three unique Modbus firmware applications that provide a wide range of Modbus connectivity. Simple connections or complex Modbus networks, you can do it all with a DeviceMaster UP.

Highly flexible and robust, the DeviceMaster UP provides connectivity between a vast array of Modbus controllers and devices. Simplified configuration pages, innovative functionality and informative diagnostic information all make for quick and easy set-up of even the most complex Modbus installations.

DEVICEMASTER SPECIFICATIONS

HARDWARE

Product Dimensions

10.72" x 6.3" x 1.5"
27.23 x 16 x 3.81 cm

Serial Connectors

(4) DB9 Male

Ethernet Ports

(2) 10/100 BaseT

Processor

ARM7 44Mhz

Memory

8MB RAM
4MB Flash

Mounting Options

Panel/Rack

LED Indicators

Status, Ethernet Link/Activity, Collision, 100MB Ethernet, RX/TX Per Port

Housing

Rugged Steel Construction

ELECTRICAL SPECIFICATIONS

Device Requirements

5 to 30 VDC

Device Consumption

2.5 Watts

External Power Supply

Input (Included)
90 to 260 VAC @ 47-63Hz
Output
500mA @ 24 VDC

Surge Protection

15KV

ENVIRONMENTAL SPECIFICATIONS

Operating Temperature

-37° C to 74°C

Storage Temperature

40°C to 85°C

Humidity (non-condensing)

System On 20% to 80%
System Off 8% to 80%

Altitude

0 to 10,000 Ft
0 to 3,048 m

Heat Output

8.5 BTU/Hr

Mean time between failures

46.2 Years

SERIAL COMMUNICATIONS

Software Selectable

RS-232/422/485

Baud Rates

50 bps to 230 Kbps

Data Bits

7 or 8

Parity

Odd, Even, None

Stop Bits

1 or 2

COMMUNICATION MODES

Modbus/TCP to Serial or Ethernet TCP/IP
Modbus/TCP to Modbus/RTU
Modbus/TCP to raw serial data
Modbus/RTU Device (Auto Locate and Auto Route)

NETWORK PROTOCOLS

Telnet, HTTP, SNMP, DHCP, RARP, ARP, BOOTP, Ping

EXPORT INFORMATION

Packaged Shipping Weight

7.08lbs
3.21 kg

Package Shipping Dimensions

14.9" x 4" x 10.9"
37.85 x 10.16 x 27.69 cm

UPC Code

7-56727-99521-0

ECCN

5A992

Schedule B Number

8471.80.1000

REGULATORY STANDARDS

Immunity

EN55024, EN6100042, EN6100043,
EN6100044, EN6100045, EN6100046,
EN6100048, EN61000411, IEC 100042,
IEC 100043, IEC 100044, IEC 100045,
IEC 100046, IEC 100048, IEC 1000411

Emission

EN55022 & A1:2000 IEC 100032,
IEC 100033, CISPR22, ICES003

Safety

EN60950, IEC 60950,
CSA C22.2 No. 50/UL60950

Other

RoHS2 compliant under CE

FEATURES

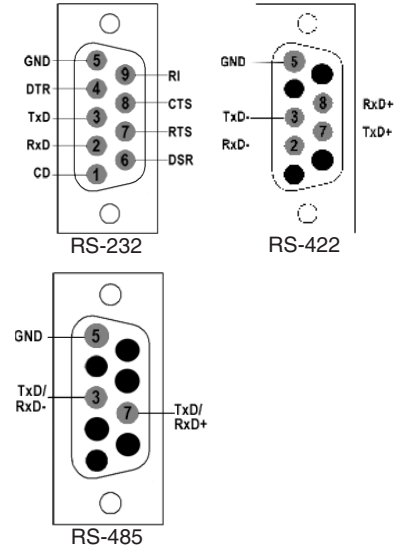
Easy Setup
SoftwareSelectable Serial Port Interface
PortVision Remote Management Software
PLC based or Web based Serial Port Configuration
Watchdog Reset

REGULATORY APPROVAL MARKS

ODVA Certified
PIC Certified



PIN ASSIGNMENTS



Warranty Information
Comtrol offers a 30-day satisfaction guarantee and 5-year limited warranty.

Sales Support
+1.763.957.6000
sales@comtrol.com

Technical Support
+1.763.957.6000
www.comtrol.com/
support

Email, FTP, and Web Support
info@comtrol.com
ftp.comtrol.com
www.comtrol.com