

## DeviceMaster® UP 4-Port

Part Number: 99447-3



### KEY FEATURES AND BENEFITS

- DualConnectPlus™ Technology – simultaneously connect both serial and Ethernet devices to PLCs and/or applications. String, RFID, and barcode data filtering eliminates redundant data while extracting the RFID and barcode parameters.
- Provide PLC connectivity – to standard serial devices with protocol support for EtherNet/IP, PROFINET, Modbus/TCP, Modbus RTU/ASCII, and TCP/IP
- Supported PLC models – EtherNet/IP: Allen Bradley ControlLogix Family, SLC 5/05, PLC-5, MicroLogix. PROFINET: Siemens ET 400, 300 S7. Modbus: Modicon Quantum, Premium, Momentum, Compact, Micro, GE Fanuc Rx7i, Rx3i, 90-70, 90-30, Versamax
- Wide - 37° to 74°C industrial temperature range
- Variable power input – eliminates need for power converters
- PortVision® DX remote monitoring and management software
- Security Features – SSL & SSH management, SSL serial data stream encryption
- RoHS2 compliant under CE



### PRODUCT DESCRIPTION

At Control, we believe gateways should be intelligent, robust, and easy to use.

The DeviceMaster UP provides innovative EtherNet/IP, Modbus, and Profinet IO connectivity to a wide variety of devices. It can enable you to quickly connect PLCs, SCADA, OPC Servers and applications to devices such as barcode scanners, RFID readers,

weigh scales, vision systems, printers, encoders, HVAC and sensors.

With its simplified web-based configuration pages, innovative functionality and informative diagnostic information, the DeviceMaster UP provides the functionality required to make your job easier.

# DEVICEMASTER SPECIFICATIONS

## SERIAL COMMUNICATIONS

**Software-Selectable**  
RS-232/422/485

**Baud Rates**  
50bps to 230 Kbps

**Data Bits**  
7 or 8

**Parity**  
Odd, Even, None

**Stop Bits**  
1 or 2

## HARDWARE

**Serial Connectors**  
(4) DB9 Male

**Ethernet Ports**  
(2) 10/100BASE-T

**Processor**  
ARM7 44Mhz

**Memory**  
8MB RAM, 4MB Flash

**Mounting**  
Panel/Rack, DIN rail

**Options**  
LED Indicators  
Status, Ethernet, Link/Activity, Collision,  
100MB Ethernet, RX/TX Per Port  
Housing  
Rugged Steel Construction

## ELECTRICAL SPECIFICATIONS

**Device Requirements**  
9 to 30 VDC

**Device Consumption**  
4.8 Watts

**External Power Supply** (Included)  
Input  
90 to 260 VAC @ 47-63Hz  
Output  
500mA @ 24 VDC

**Surge Protection**  
15KV Per Port

## ENVIRONMENTAL SPECIFICATIONS

**Operating Temperature**  
-37 to 74°C

**Storage Temperature**  
-40 to 85°C

**Humidity (Non-Condensing)**  
System On 20% to 80%  
System Off 8% to 80%

**Altitude**  
0 to 10,000 Ft  
3,058m

**Heat Output**  
16.4 BTU/Hr

**Mean Time Between Failures**  
25.0 Years

## EXPORT INFORMATION

**Packaged Shipping Weight**  
7.2lbs  
115.2 oz

**Packaged Shipping Dimensions**  
14.9" x 4" x 10.9"  
378.5 x 101.6 x 276.9 mm

**UPC Code**  
7-56727-99447-3

**ECCN**  
5A992

**Schedule B Number**  
8471.80.1000

## REGULATORY STANDARDS

**Immunity**  
EN55024, EN61000-4-2, EN61000-4-3,  
EN61000-4-4, EN61000-4-5, EN61000-4-6,  
EN61000-4-8, EN61000-4-11, IEC 1000-4-2,  
IEC 1000-4-3, IEC 1000-4-4, IEC 1000-4-5,  
IEC 1000-4-6, IEC 1000-4-8, IEC 1000-4-11

**Emissions**  
EN55022 & A1:2000 IEC 1000-3-2,  
IEC 1000-3-3, CISPR-22, ICES-003

**Safety**  
EN60950, IEC 60950, CSA C22.2 No. 50/  
UL60950

## INDUSTRIAL ETHERNET PROTOCOL

EtherNet/IP, PROFINET I/O, PROFINET CBA, Modbus/TCP, TCP/IP

## COMMUNICATION MODES

EtherNet/IP to Serial  
Modbus/TCP to Serial  
TCP Sockets  
UDP Sockets

## NETWORK PROTOCOLS

Telnet, HTTP, SNMP, DHCP, RARP, ARP, BOOTP, Ping

## FEATURES

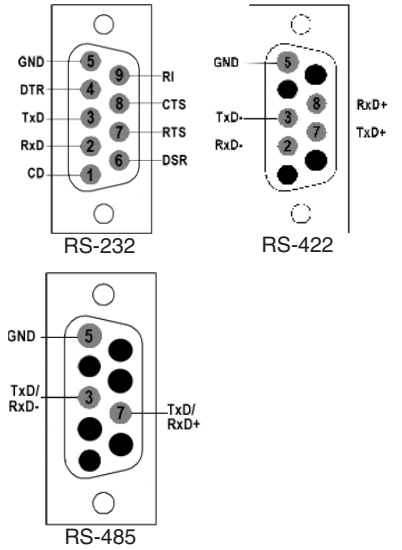
Easy Set-Up  
Software-Selectable Serial Port Interface  
PortVision Remote Management Software  
PLC-based or Web-based Serial Port Configuration  
Watchdog Reset

## REGULATORY APPROVAL MARKS

ODVA Certified, PIC Certified, RoHS2 compliant under CE



## PIN ASSIGNMENTS



**Warranty Information**  
Control offers a 30-day  
satisfaction guarantee and  
5-year limited warranty.

**Sales Support**  
+1.763.957.6000  
sales@comtrol.com

**Technical Support**  
+1.763.957.6000  
www.comtrol.com/support

**Email, FTP, and Web Support**  
info@comtrol.com  
ftp.comtrol.com  
www.comtrol.com