

DeviceMaster® MOD-2202

Part Number: 99532-6



KEY FEATURE AND BENEFITS

- 64 Modbus/TCP Connections
- Simple web base configuration
- Informative device communication and status pages
- Dual Ethernet Ports for daisy chaining network connections between multiple units
- Advanced Modbus/TCP to Modbus/RTU functionality:
 - Up to 247 slave devices per gateway
 - No limit on number of devices per serial port
 - Automatic device location and message routing
- Advanced Modbus/TCP to Raw/ASCII Functionality:
 - Modbus/TCP to serial and/or Ethernet TCP/IP
 - Maximum serial packet size of 1518 bytes
 - Maximum Ethernet TCP/IP packet size of 2048 bytes
 - True Peer-to-Peer Modbus/TCP messaging. RX and TX channels configured independently to Master or Slave.
 - Intelligent packet identification and handling
 - DualConnectPlus technology

PRODUCT DESCRIPTION

The DeviceMaster MOD-2202 has been designed to meet the demands of today's increasingly diverse Modbus installations.

Control has developed three unique Modbus firmware applications that provide a wide range of Modbus connectivity. Simple connections or complex Modbus networks, you can do it all with a DeviceMaster server .

Highly flexible and robust, the DeviceMaster MOD-2202 provides connectivity between a vast array of Modbus controllers and devices. Simplified configuration pages, innovative functionality and informative diagnostic information all make for quick and easy set-up of even the most complex Modbus installations.

DEVICEMASTER SPECIFICATIONS

HARDWARE

Bus Interface Specification

10/100 BASE-T

Memory

SDRAM 8 MB
Flash 4 MB

Enclosure

UL94-V0 Plastic
Installation Method
DIN rail (35mm) LED Indicators
Status, Ethernet Link/Activity

Enclosure Dimensions

4.37" x 3.9" x .89"

Product Weight

4.6 oz

ELECTRICAL SPECIFICATIONS

DC Input Voltage

5-30 V

Current Consumption +24 VDC

60 mA

Power Consumption (max)

1.5 W

ESD Surge Protection (min)

25KV

ENVIRONMENTAL SPECIFICATIONS

Operating Temperature

-37° to 74°C

Storage Temperature

-40° to 85°C

Operating Humidity

Non-condensing 5% to 95%

Altitude

0 to 10000 Feet

Heat Output

5.0 BTU/Hr

Mean time between failures

58.57 Years

SERIAL COMMUNICATIONS

Connector Type

(2) Screw Terminal Blocks

Interface Standard

RS-232, RS-422, RS-485 Half-Duplex, RS-485, Full-Duplex

Baud Rates

300 to 230.4Kbps

Transmit Buffer

256 Bytes

Receive Buffer

1024 Bytes

Data Bits

7 or 8

Parity

odd, even or none

Stop Bits

1 or 2

Flow Control

Hardware, Software or None

ETHERNET SPECIFICATIONS

Network Protocols

ARP, BOOTP, DHCP, HTTP, ICMP, Ping, RARP, RFC 1006
(ISO over TCP), RFC 2217, SNMP (MIB-II), TCP/IP, Telnet,
TFTP, and UDP socket services

Connector Type

(1) RJ45F Auto MDI/MDI-X

EXPORT INFORMATION

Packaged Shipping Weight

0.91 lbs

Package Dimensions

9.25" x 2.5" x 7.25"

UPC Code

7-56727-99532-6

Country of Origin

USA

ECCN

5A992

Schedule B Number

8471.80.1000

DEVICE DRIVERS

Linux

Microsoft® Windows® 7
Microsoft® Windows® 2008 Server
Microsoft® Windows® Vista
Microsoft® Windows Server® 2003
Microsoft® Windows® XP
Microsoft® Windows NT® 4.0 (Legacy)
Microsoft® Windows® 2000 (Legacy)

REGULATORY STANDARDS

Emission

CANADIAN EMC REQUIREMENTS
ICES-003
European Standard EN55022
FCC PART 15 SUBPART B
CLASS A LIMIT
AS/NZS CISPR 22

Immunity

European Standard EN55024
IEC 1000-4-2/EN61000-4-2: ESD
IEC 1000-4-3/EN61000-4-3: RF
IEC 1000-4-4/EN61000-4-4: Fast Transient
IEC 1000-4-5/EN61000-4-5: Surge
IEC 1000-4-6/EN61000-4-6: Conducted Disturbance
IEC 1000-4-8/EN61000-4-8: Magnetic Field
IEC 1000-4-11/EN61000-4-11: Dips and Voltage Variations

Safety

IEC 60950/EN60950
CSA C22.2 No. 60950/UL60950 Third Edition
RoHS2 compliant under CE
NEMA TS2 Compliant

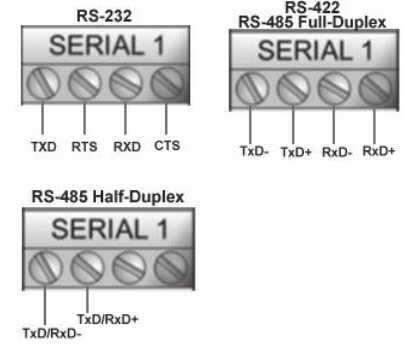
FEATURES

SNMP Support
RoHS Compliant

REGULATORY APPROVAL MARKS



PIN ASSIGNMENTS



Warranty Information
Comtrol offers a 30-day
satisfaction guarantee and
5-year limited warranty.

Sales Support
+1.763.957.6000
sales@comtrol.com

Technical Support
+1.763.957.6000
www.comtrol.com/
support

Email, FTP, and Web Support
info@comtrol.com
ftp.comtrol.com
www.comtrol.com