

DeviceMaster® MOD-2102

Part Numbers: 99552-4



KEY FEATURES AND BENEFITS

- DIN-rail mounting and screw terminal power connections
- Highly flexible and unique Modbus functionality
- Multiple Modbus master and slave types
- Raw/ASCII Serial and Ethernet device support
- Variable power input eliminates need for power converters
- Dual Ethernet ports for daisy chaining network connections between multiple units (2E model)
- PortVision® DX monitoring and management software
- RoHS2 compliant under CE



PRODUCT DESCRIPTION

The DeviceMaster MOD-2102 has been designed to meet the demands of today's increasingly diverse Modbus installations.

Control has developed three unique Modbus firmware applications that provide a wide range of Modbus connectivity. Simple connections or complex Modbus networks, you can do it all with a DeviceMaster.

Highly flexible and robust, the DeviceMaster MOD-2102 provides connectivity between a vast array of Modbus controllers and devices. Simplified configuration pages, innovative functionality and informative diagnostic information all make for quick and easy set-up of even the most complex Modbus installations.

DEVICEMASTER SPECIFICATIONS

HARDWARE

Bus Interface Specification

10/100BASE-T
Memory
 SDRAM 8 MB
 Flash 4 MB

Enclosure

UL94-V0 Plastic
Installation Method
 DIN rail (35mm)

LED Indicators
 Status, Ethernet Link/Activity

Dimensions
 4.6" x 3.9" x 0.9"
 116.8 x 99 x 22.9 mm

Product Weight
 4.6 oz
 0.130 kg

ELECTRICAL SPECIFICATIONS

Device
 DC Input Voltage 6-30V
 Current Consumption (+24VDC)
 65 mA

Power Consumption (max.)
 1.56 W

Power Input Redundancy
 Dual Redundant Power Input

ESD Surge Protection
 Provided minimum of 25KV protection for all serial lines. All Ethernet components are rated to 1.5KV magnetic surge protection.

ENVIRONMENTAL SPECIFICATIONS

Air Temperature
 System On -37° C to 74° C
 System Off -40° C to 85° C

Operating Humidity (Non-Condensing)
 5% to 95%

Altitude
 0 to 10,000 Feet
 3,048 m

Heat Output
 5.3 BTU/Hr

Mean time between failures
 58.8 Years

SERIAL COMMUNICATIONS

Connector Type
 DB9 Male

Number of Ports
 2

Software Selectable Interfaces
 RS-232, RS-422, RS-485 2-Wire, RS-485 4-Wire
 (Master/Slave)

Baud Rates 300bps to 230.4 Kbps
 Receive Buffer 1024 Bytes
 Transmit Buffer 256 Bytes

Data Bits
 7 or 8

Parity
 Odd, Even, None

Stop Bits
 1 or 2

Flow Control
 Hardware, Software or None

ETHERNET SPECIFICATIONS

Network Protocols
 ARP, BOOTP, DHCP, HTTP, ICMP, Ping, RARP,
 RFC 1006 (ISO over TCP), RFC 2217, SNMP
 (MIB-II), TCP/IP, Telnet, TFTP, and UDP socket
 services

Connector Type
 RJ45F Auto MDI/MDI-X
Number of Ports
 1

EXPORT INFORMATION

Packaged Shipping Weight
 1.0 lbs
 0.45 kg

Package Dimensions
 9.25" x 2.5" x 7.25"
 23.5 x 63.5 x 184.2 mm

UPC Code
 7-56727-99552-4

Country of Origin
 USA

ECCN
 5A992

Schedule B Number
 8471.80.1000

REGULATORY STANDARDS

Emissions
 FCC PART 15 SUBPART B
 CLASS A LIMIT
 AS/NZS CISPR 22
 European Standard EN55022
 Canadian EMC Requirements
 ICES-003

Immunity
 European Standard EN55024
 IEC 1000-4-2/EN61000-4-2: ESD
 IEC 1000-4-3/EN61000-4-3: RF
 IEC 1000-4-4/EN61000-4-4: Fast Transient
 IEC 1000-4-5/EN61000-4-5: Surge
 IEC 1000-4-6/EN61000-4-6: Conducted Disturbance
 IEC 1000-4-8/EN61000-4-8: Magnetic Field
 IEC 1000-4-11/EN61000-4-11: Dips and Voltage Variations

Safety
 IEC 60950/EN60950 (RECOGNIZED)
 CSA C22.2 No. 50/UL60950 Third Edition

Other
 RoHS2 compliant under CE
 NEMA TS2 compliant

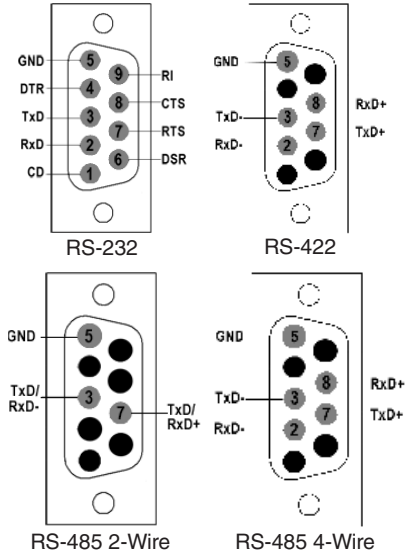
FEATURES

SNMP Support
 Monitoring Only

REGULATORY APPROVAL MARKS



PIN ASSIGNMENTS



Warranty Information
 Control offers a 30-day
 satisfaction guarantee and
 5-year limited warranty.

Sales Support
 +1.763.957.6000
 sales@comtrol.com

Technical Support
 +1.763.957.6000
 www.comtrol.com/support

Email, FTP, and Web Support
 info@comtrol.com
 ftp.comtrol.com
 www.comtrol.com