

4

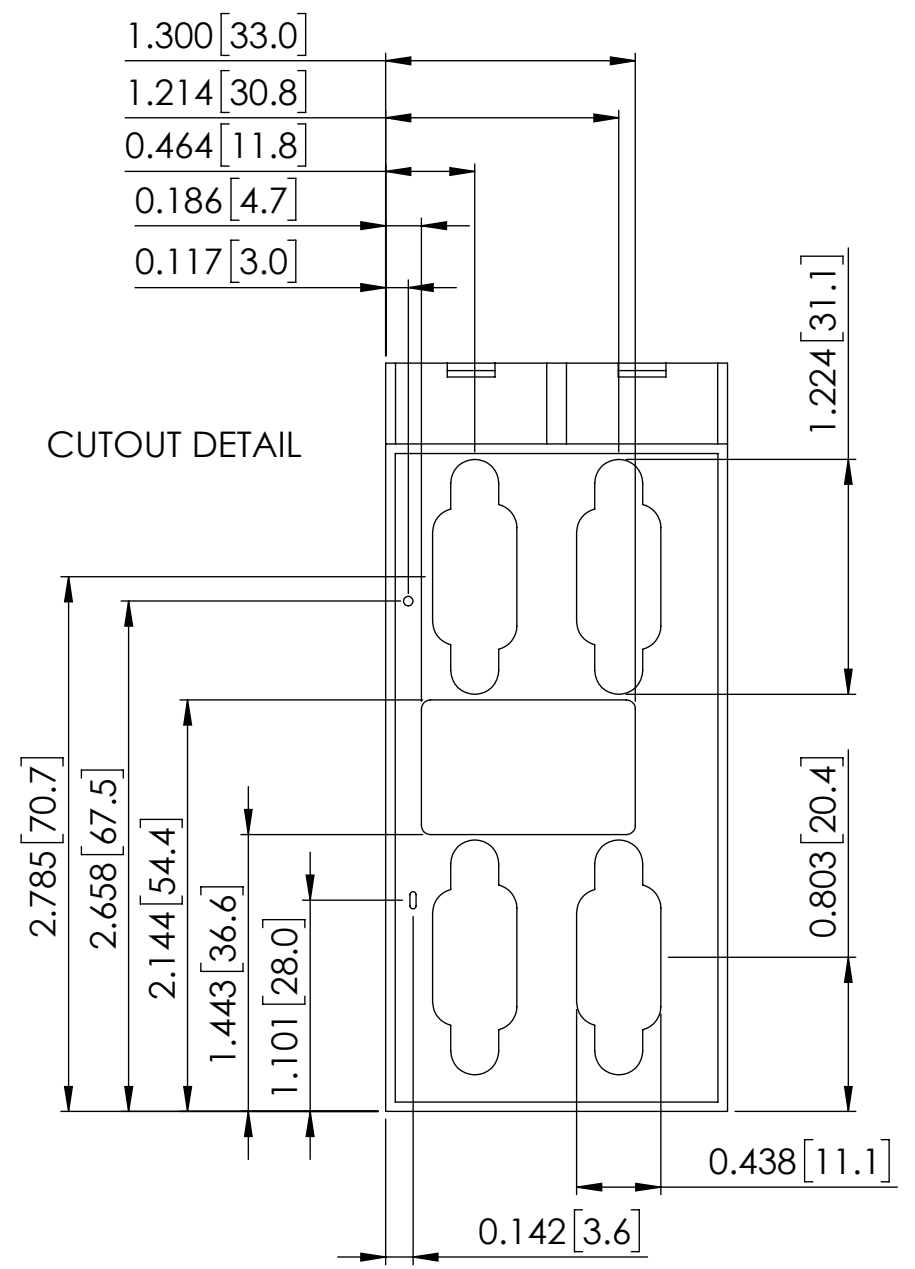
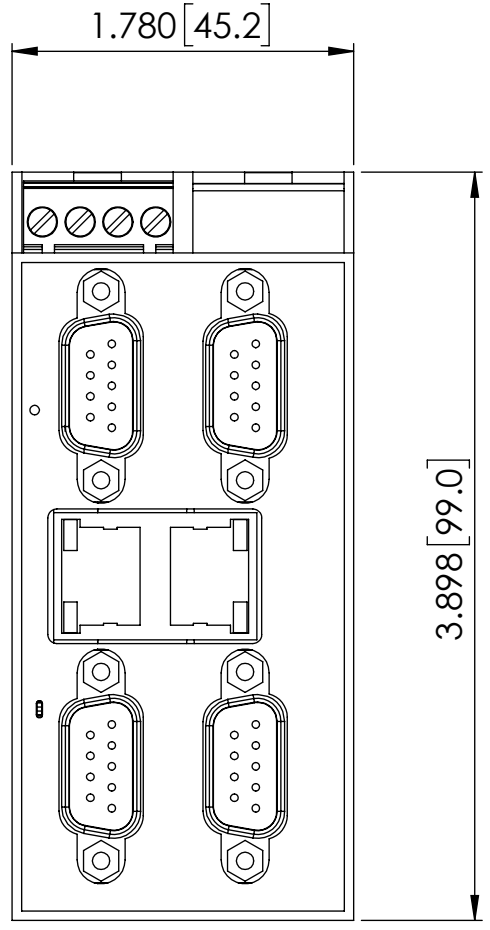
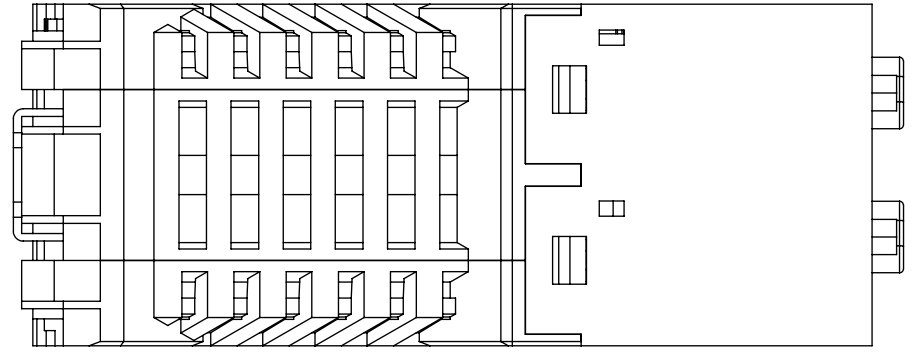
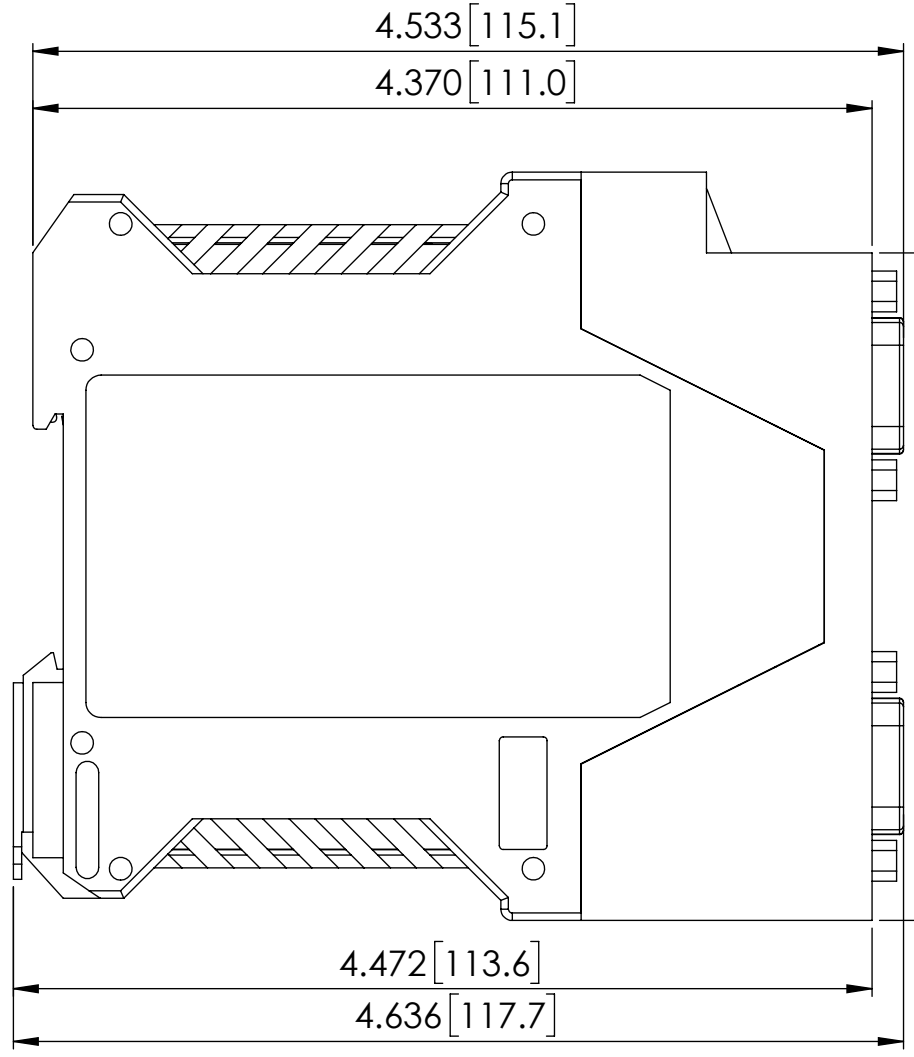
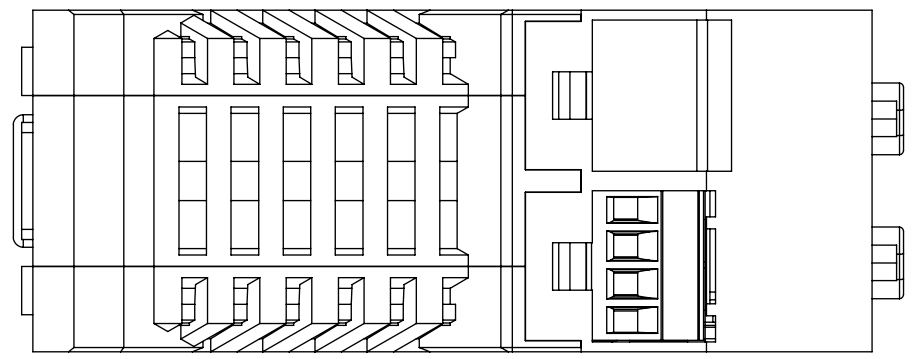
3

2

1

REVISIONS

ZONE	REV.	DESCRIPTION	DATE	APPROVED
	01	INITIAL RELEASE FOR REVIEW	2/1/2017	



NOTE: DEVICE IS DESIGNED TO BE MOUNTED ON 35MM DIN RAIL (EN 50022)

UNLESS OTHERWISE SPECIFIED:		NAME	DATE	CONTROL CORPORATION	
DIMENSIONS ARE IN INCHES [mm]	DRAWN	MSW	02/01/17	TITLE:	
TOLERANCES:	CHECKED			DEVICEMASTER DM-2304	
FRACTIONAL ±	ENG APPR.			SIZE	P/N
ANGULAR: MACH BEND ±	MFG APPR.			B	99610-1
TWO PLACE DECIMAL	Q.A.			SCALE: 1:1	WEIGHT:
THREE PLACE DECIMAL	COMMENTS:			REV	01
INTERPRET GEOMETRIC TOLERANCING PER:	FILENAME:	99610-1 DEVICEMASTER DM-2304 (4P2E-DB9M).DWG		SHEET 1 OF 1	
MATERIAL					
FINISH					
DO NOT SCALE DRAWING					

4

3

2

1

B

B

A

A