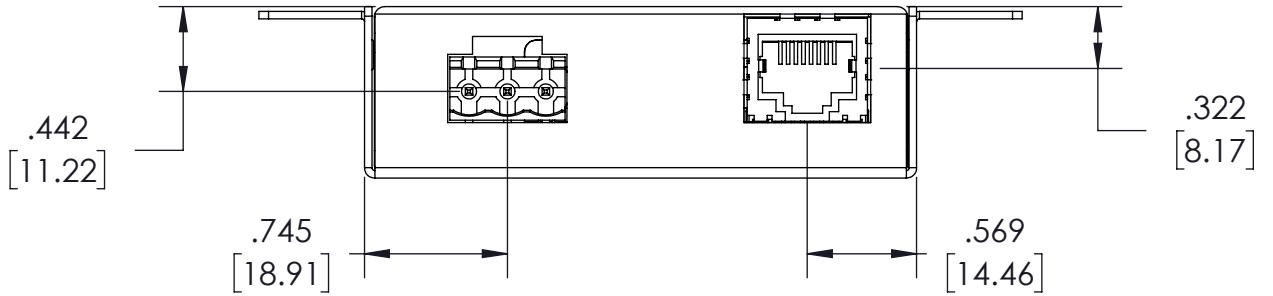


4

3

2

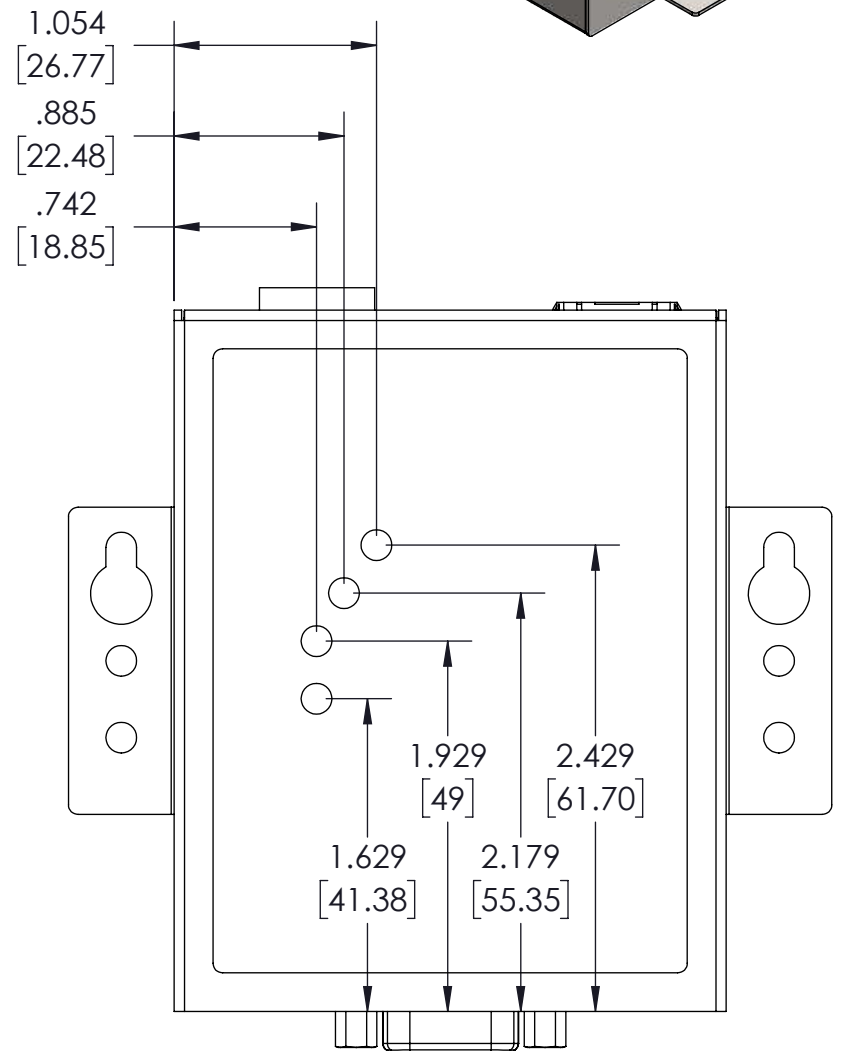
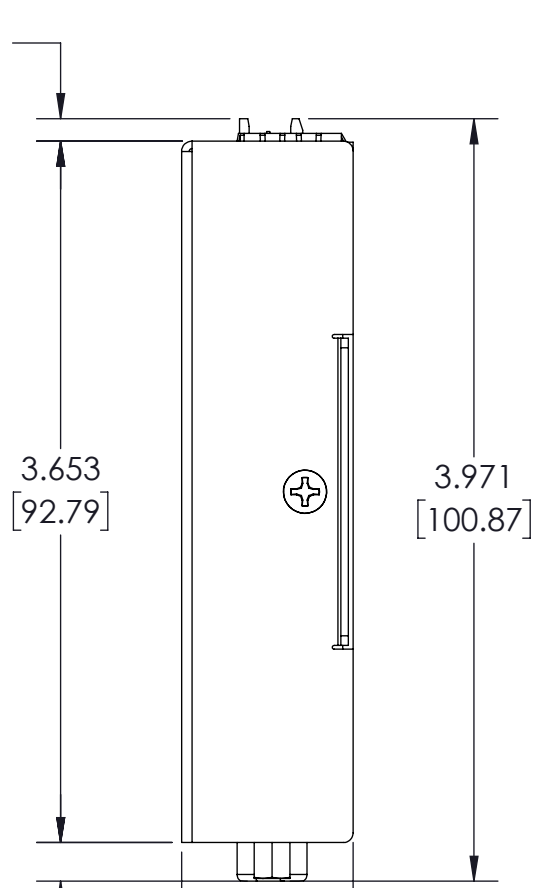
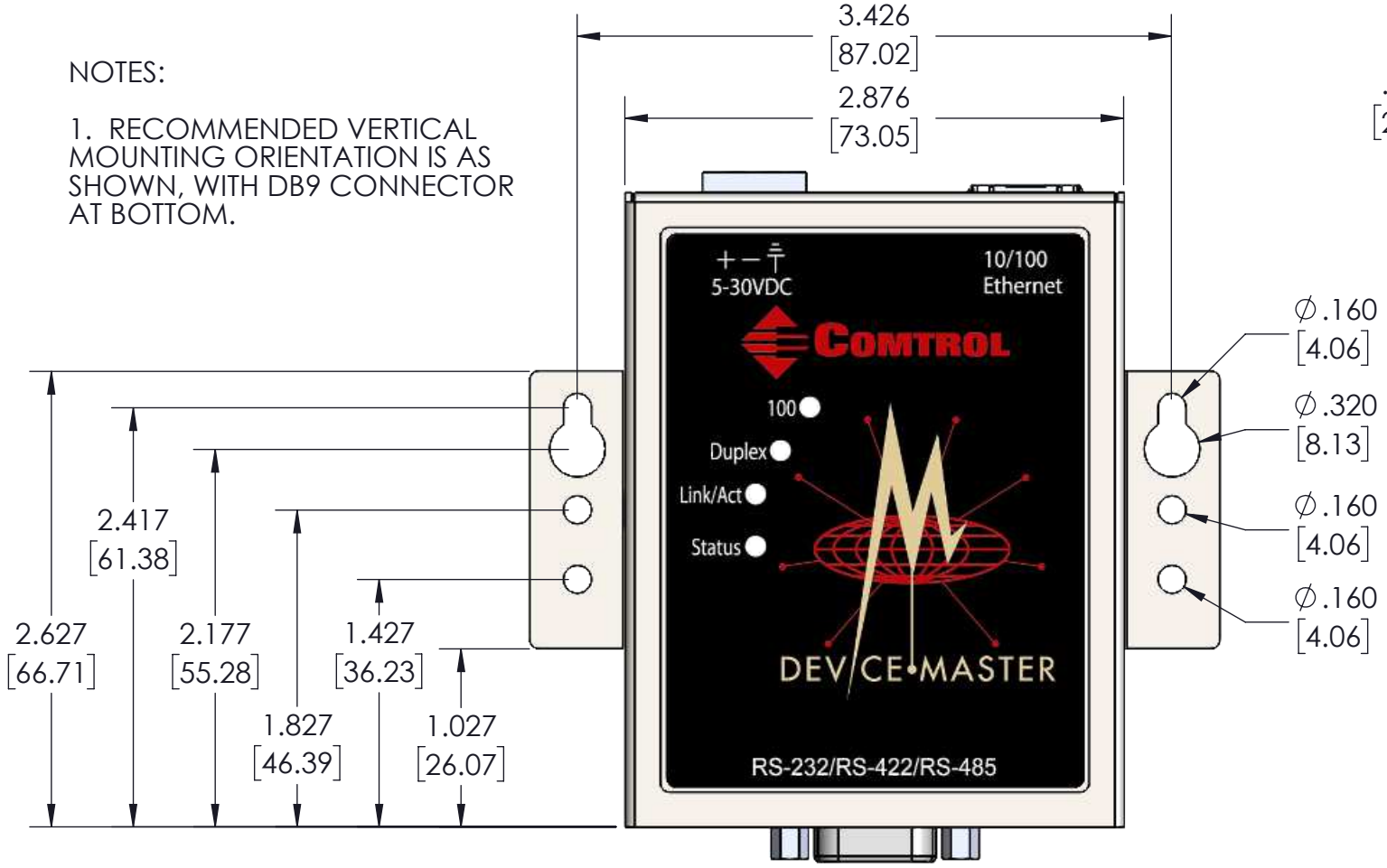
1



B

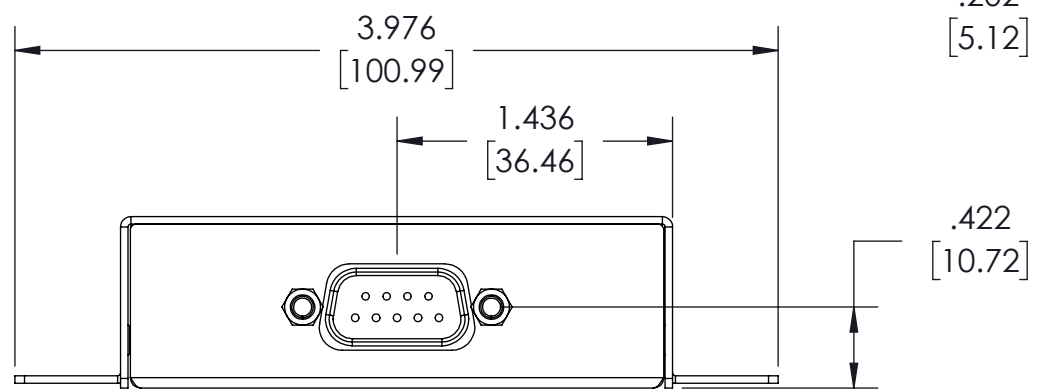
B

NOTES:  
 1. RECOMMENDED VERTICAL MOUNTING ORIENTATION IS AS SHOWN, WITH DB9 CONNECTOR AT BOTTOM.



A

A



UNLESS OTHERWISE SPECIFIED:		NAME	DATE
DIMENSIONS ARE IN INCHES [mm]		DRAWN	MSW 07/25/17
TOLERANCES:		CHECKED	
FRACTIONAL ±		ENG APPR.	
ANGULAR: MACH BEND ±		MFG APPR.	
TWO PLACE DECIMAL		Q.A.	
THREE PLACE DECIMAL		COMMENTS:	
INTERPRET GEOMETRIC TOLERANCING PER:		FILENAME:	99440-4_DEVICEMASTER_RTS_DB9M_5-30VDC_IP_ROHS.DWG
MATERIAL			
FINISH			
DO NOT SCALE DRAWING			

CONTROL CORPORATION			
TITLE: DEVICEMASTER RTS, DB9M, 5-30VDC, 1P, ROHS			
SIZE	P/N	REV	
<b>B</b>	<b>99440-4</b>	<b>01</b>	
SCALE: 1:1	WEIGHT:	SHEET 1 OF 1	

4

3

2

1