

4

3

2

1

.341
[8.65]

.322
[8.17]

.745
[18.91]

.569
[14.45]



B

B

NOTES:

1. RECOMMENDED VERTICAL MOUNTING ORIENTATION IS AS SHOWN, WITH DB9 CONNECTOR AT BOTTOM.

3.426
[87.02]

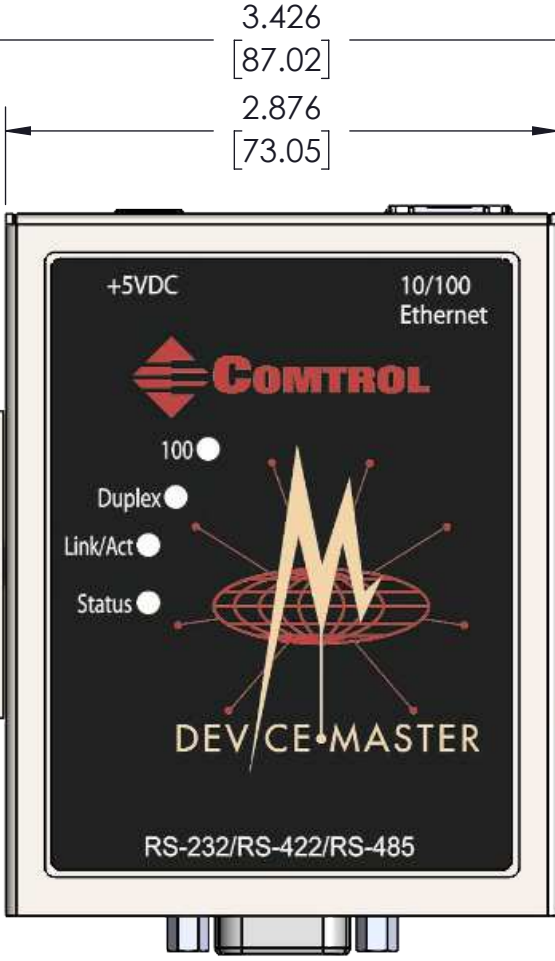
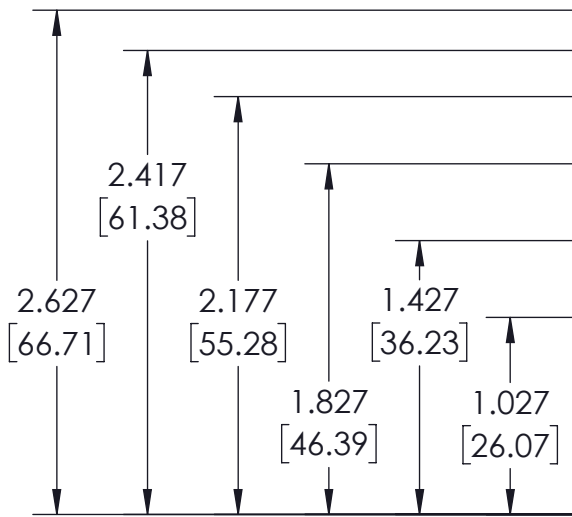
2.876
[73.05]

.040
[1.02]

1.054
[26.77]

.885
[22.48]

.742
[18.85]



Ø .160
[4.06]

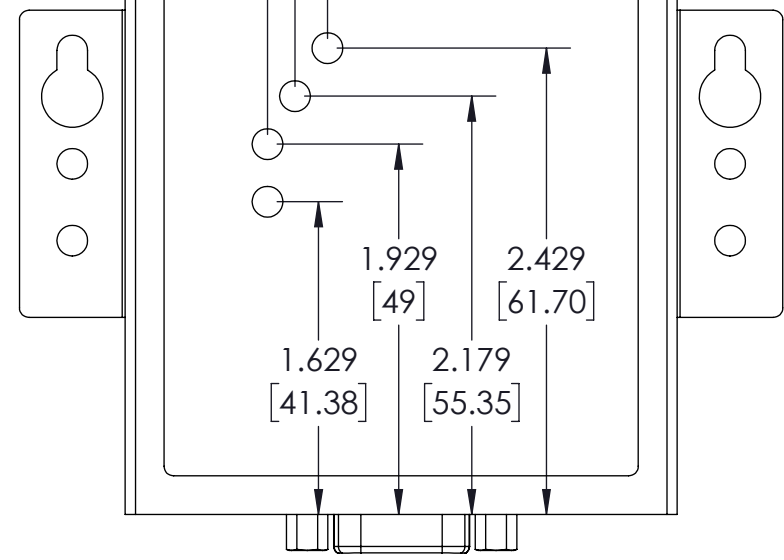
Ø .320
[8.13]

Ø .160
[4.06]

Ø .160
[4.06]

3.653
[92.79]

3.895
[98.93]



LED POSITIONS

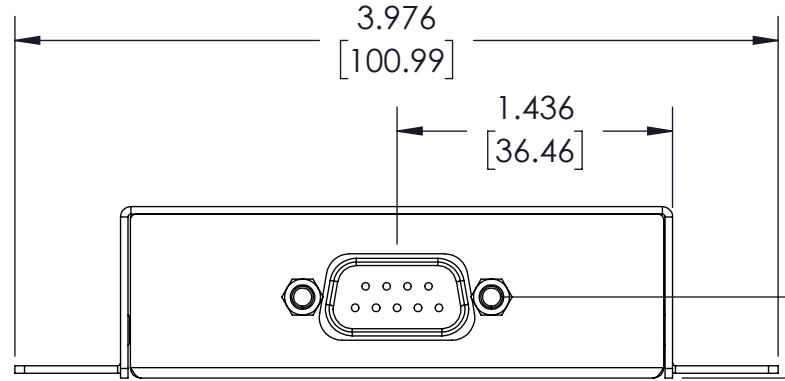
A

A

3.976
[100.99]

1.436
[36.46]

.422
[10.72]



UNLESS OTHERWISE SPECIFIED:		NAME	DATE
DIMENSIONS ARE IN INCHES [mm]		DRAWN	MSW 07/25/17
TOLERANCES:		CHECKED	
FRACTIONAL ±		ENG APPR.	
ANGULAR: MACH BEND ±		MFG APPR.	
TWO PLACE DECIMAL		Q.A.	
THREE PLACE DECIMAL		COMMENTS:	
INTERPRET GEOMETRIC TOLERANCING PER:		FILENAME:	99435-Q_DEVICEMASTER_RTS_DB9M_W_110V_PS_1P_ROHS.DWG
MATERIAL			
FINISH			
DO NOT SCALE DRAWING			

CONTROL CORPORATION		
TITLE: DEVICEMASTER RTS, DB9M, W/110V PS, 1P, ROHS		
SIZE	P/N	REV
B	99435-0	01
SCALE: 1:1	WEIGHT:	SHEET 1 OF 1

4

3

2

1