

4

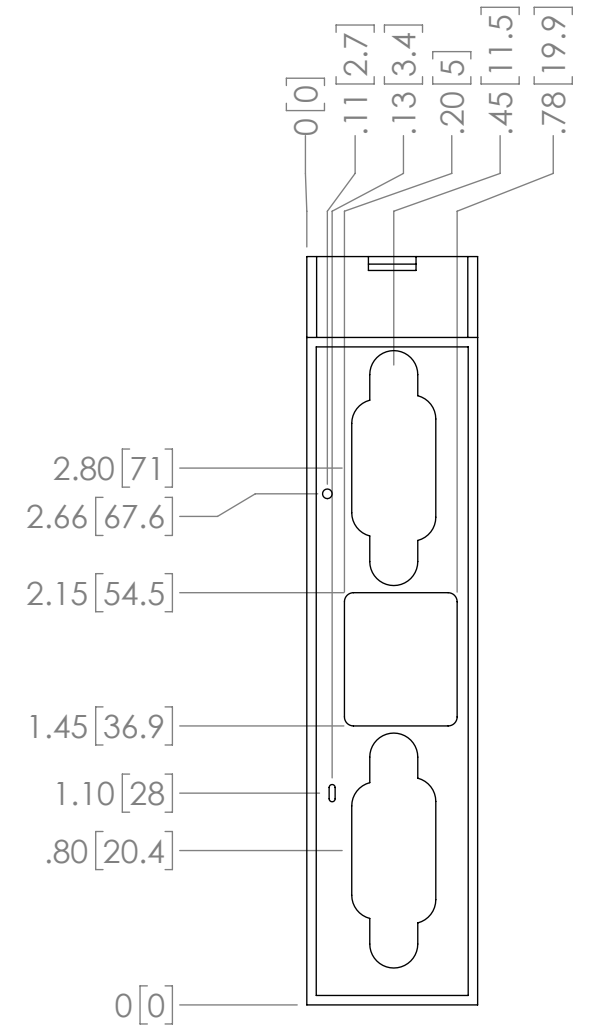
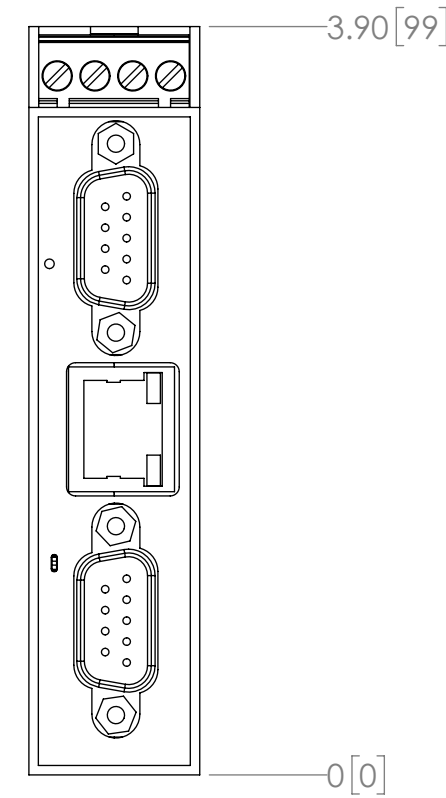
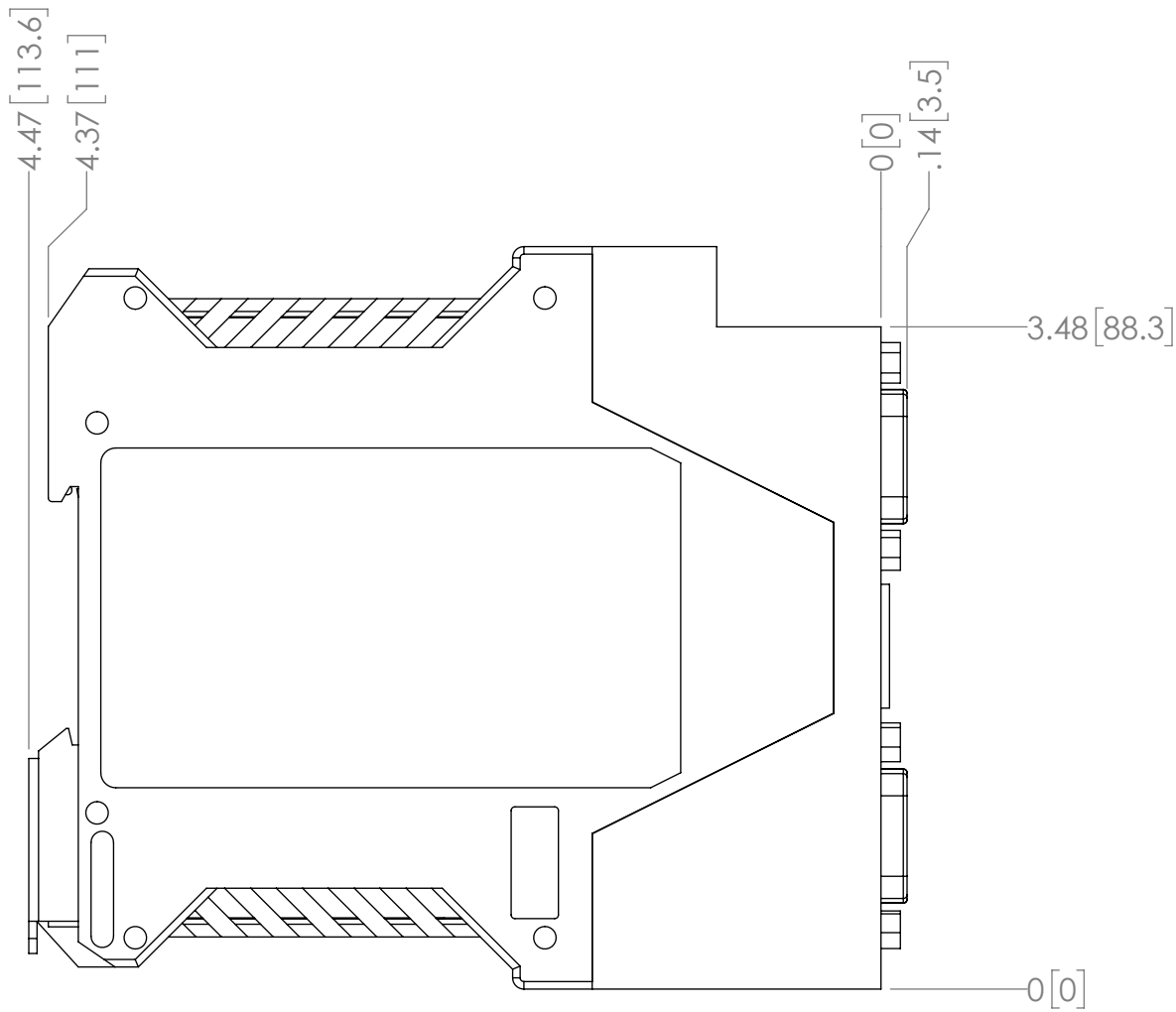
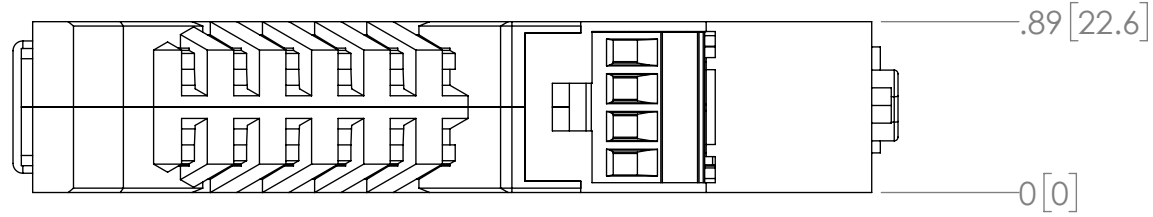
3

2

1

REVISION RECORD

REV.	DESCRIPTION	DATE	DRAFTED
01	INITIAL RELEASE FOR REVIEW	7/18/18	MSW



FRONT PANEL CUTOUTS

DEVICE IS DESIGNED TO BE MOUNTED ON 35mm DIN RAIL (EN 50022).

- 99550-0 DEVICEMASTER DM-2102
- 99551-7 DEVICEMASTER EIP-2102
- 99552-4 DEVICEMASTER MOD-2102
- 99628-6 DEVICEMASTER PNIO-2102

PROPRIETARY AND CONFIDENTIAL
 THE INFORMATION CONTAINED IN THIS DRAWING IS THE SOLE PROPERTY OF CONTROL CORPORATION. ANY REPRODUCTION IN PART OR AS A WHOLE WITHOUT THE WRITTEN PERMISSION OF CONTROL CORPORATION IS PROHIBITED.

		UNLESS OTHERWISE SPECIFIED:	NAME	DATE	CONTROL CORPORATION
		DIMENSIONS ARE IN INCHES[mm]	DRAWN	MSW	
		TOLERANCES:	CHECKED		TITLE:
		FRACTIONAL ±	ENG APPR.		DEVICEMASTER 2-PORT DB9M 1E
		ANGULAR: MACH ± BEND ±	MFG APPR.		99550-0 99551-7 99552-4 99628-6
		TWO PLACE DECIMAL ±	Q.A.		SIZE DWG. NO. REV
		THREE PLACE DECIMAL ±	COMMENTS:		B 9000817 01
NEXT ASSY	USED ON	MATERIAL			SCALE: 1:1 WEIGHT: SHEET 1 OF 1
APPLICATION		FINISH			
		DO NOT SCALE DRAWING			

4

3

2

1

B

B

A

A