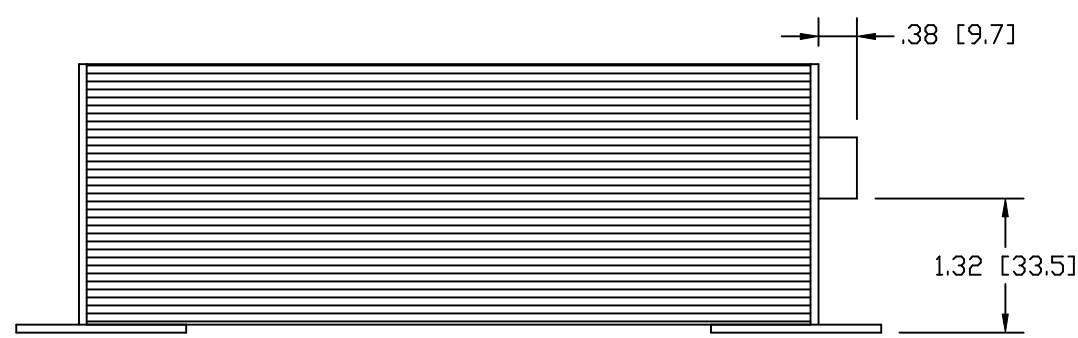
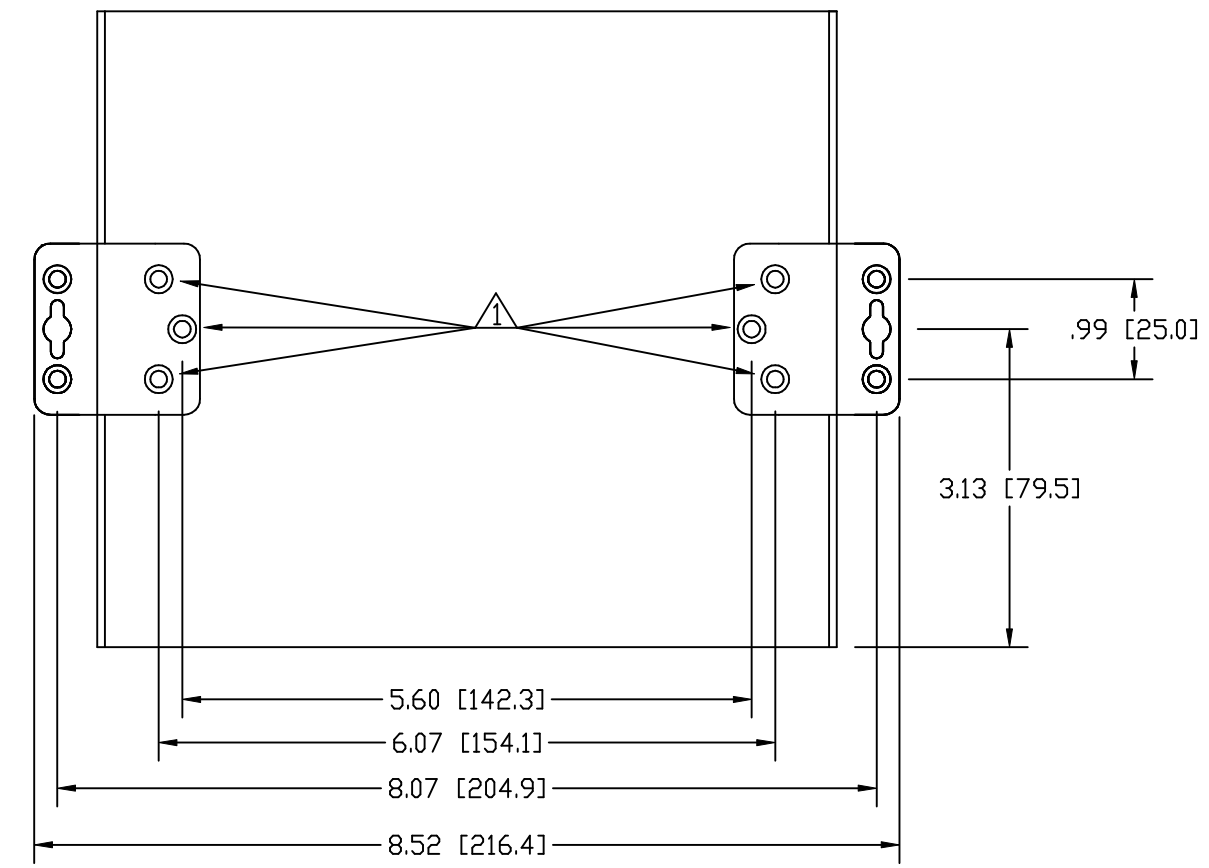
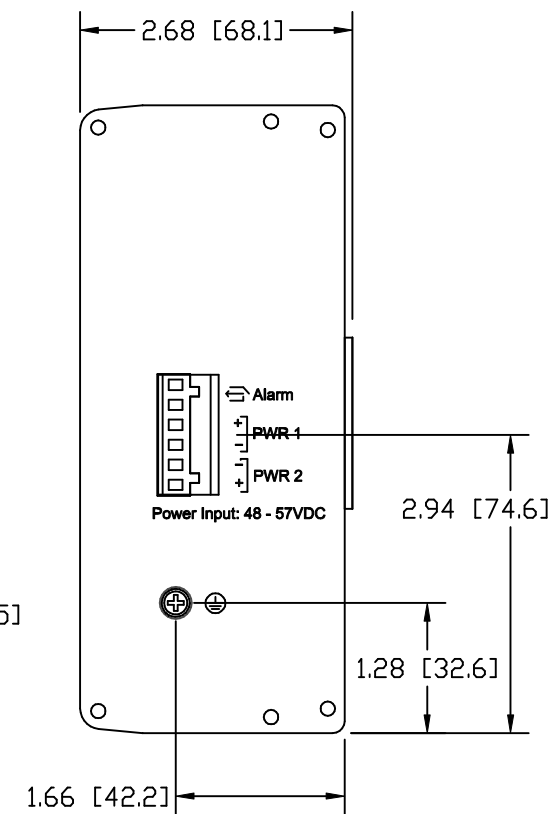
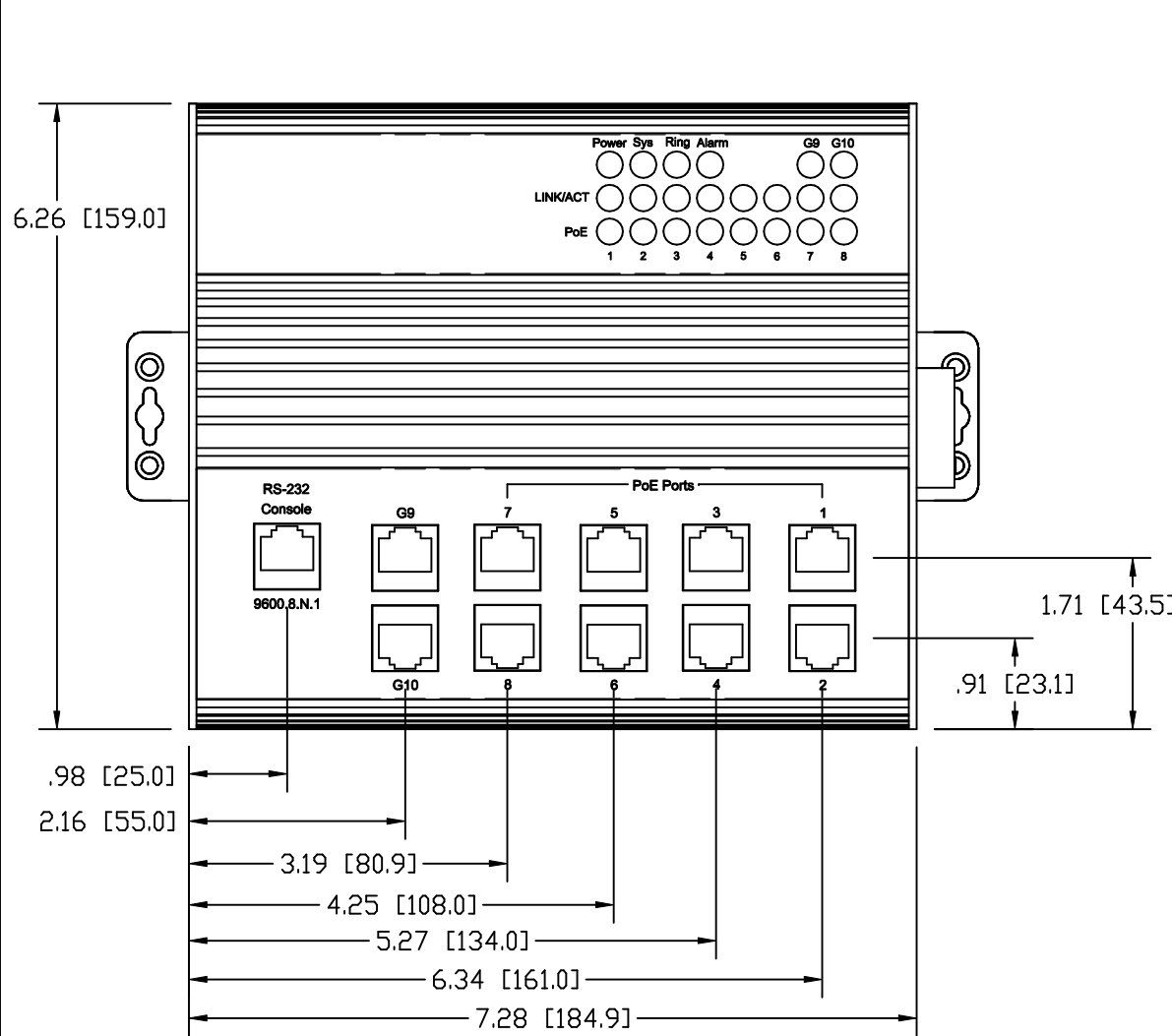
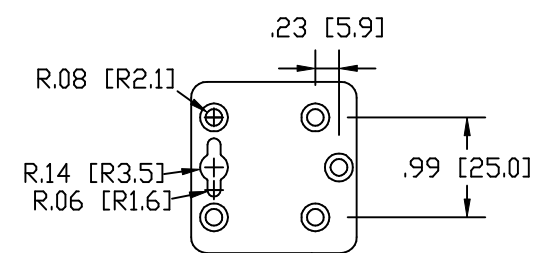


REVISION RECORD

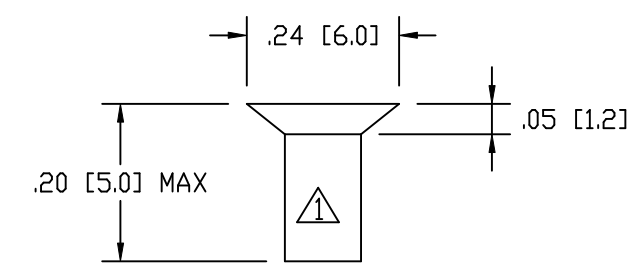
REV	ECO	DESCRIPTION	DATE	DRFT	APVD
01	N/A	Initial release for review	05/11/11	SJL	



FRONT VIEW



BRACKET DETAIL



MOUNTING SCREW DETAIL

NOTES:

▲ MOUNTING HOLES FOR BRACKETS ARE THREADED FOR M3 SCREW, COUNTERSUNK FOR HEAD DIMENSIONS AS SHOWN. MAXIMUM SCREW LENGTH .20" [5.0MM].

DIMENSIONS ARE IN INCHES [MM]				
CONTROL CORP.				
TITLE ROCKETLINX ES7510 INDUSTRIAL MANAGED POE SWITCH 32035-7				
FILENAME ROCKETLINX_ES7510_01.DWG				
SIZE B	BY SJL	DATE 05/11/11	REV 01	SHEET 1 OF 1